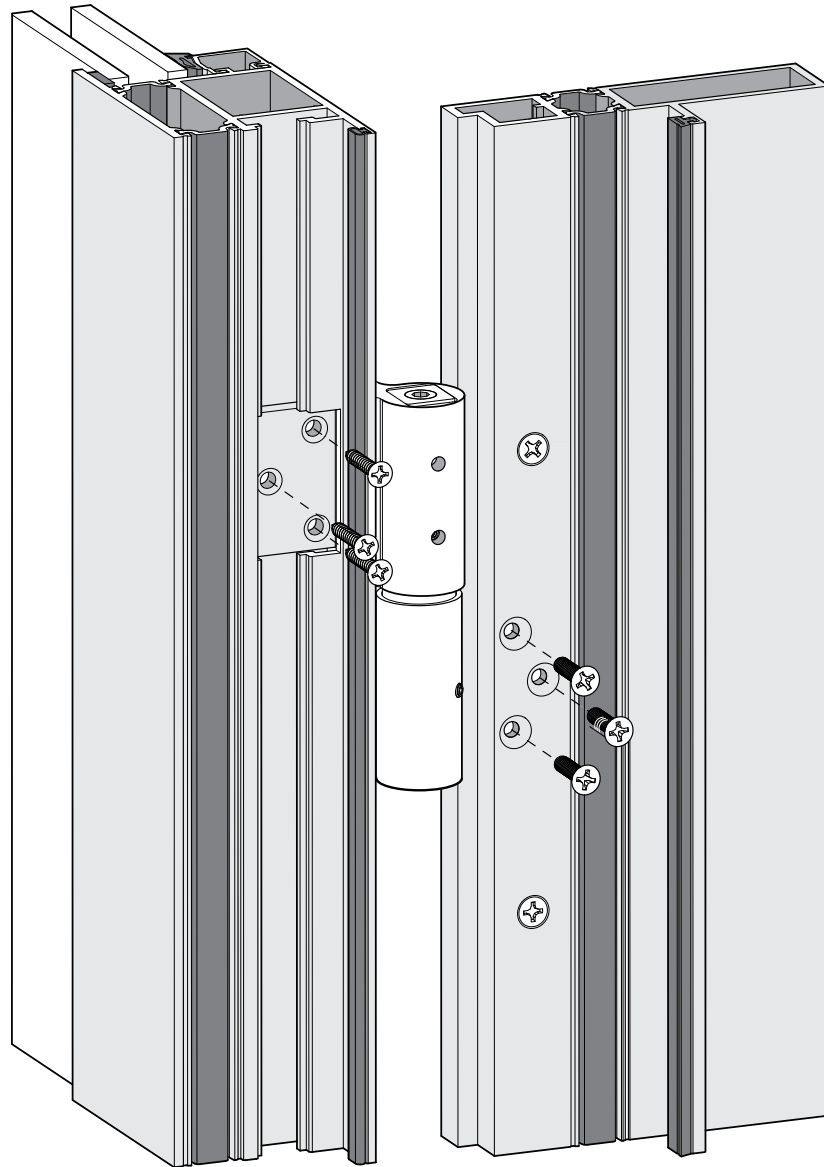


INSTALLATION INSTRUCTIONS

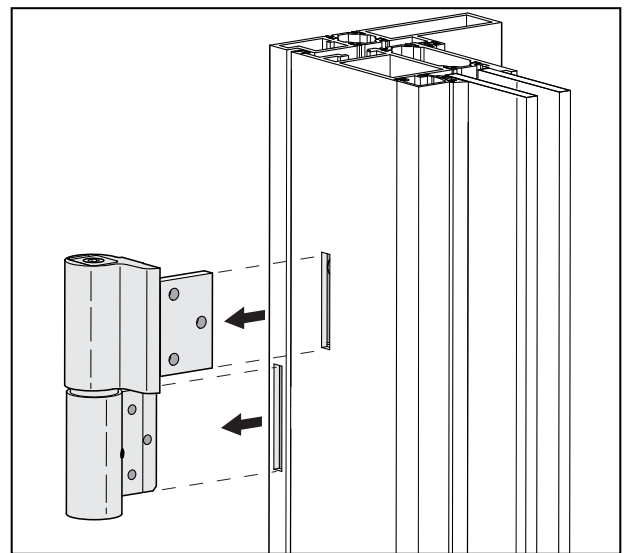
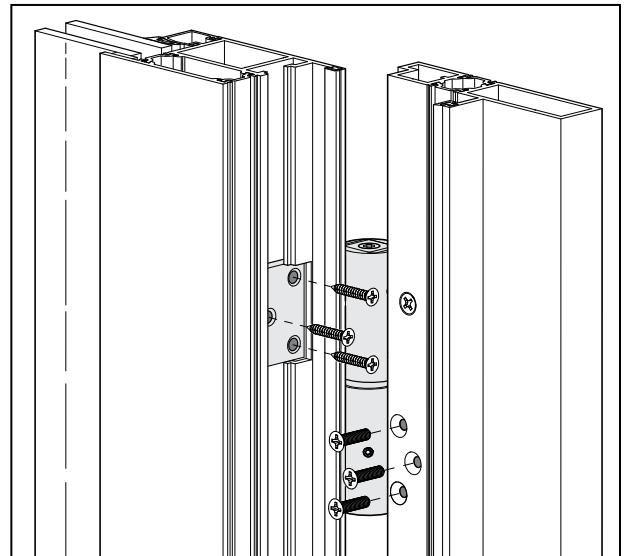
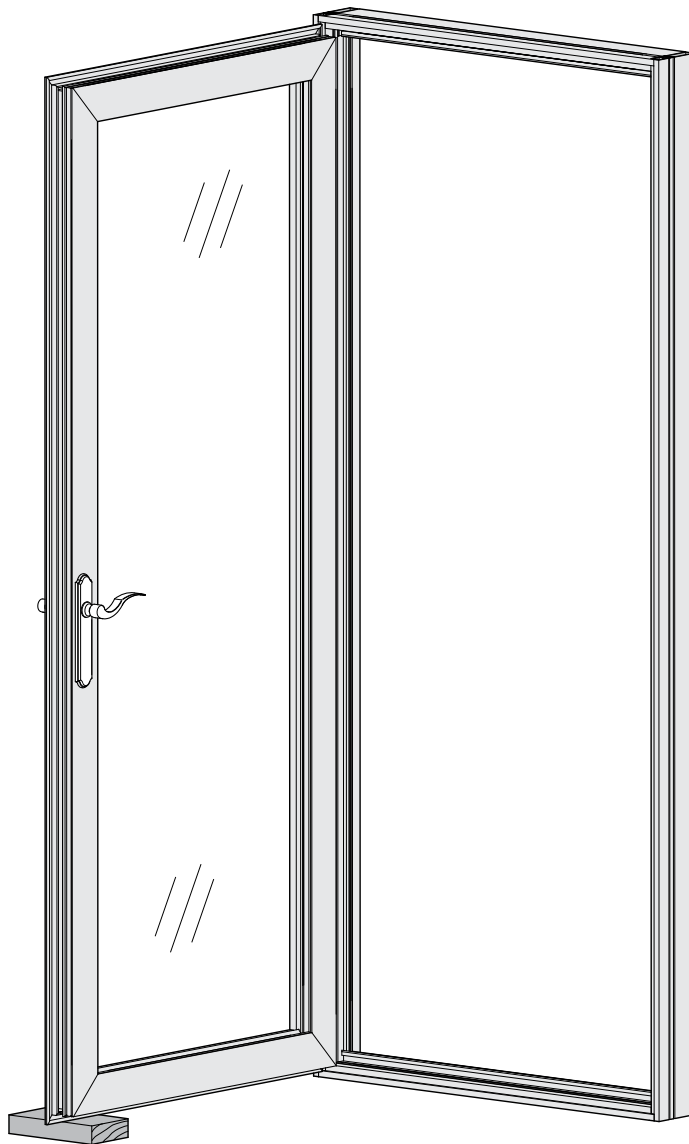
SERIES 900 / 925 PATIO DOOR ADJUSTABLE PIVOT HINGE- FIELD REPLACEMENT



Phone: (800) 262-5151 • Fax: (866) 262-3299
crlaurence.com • usalum.com • crl-arch.com

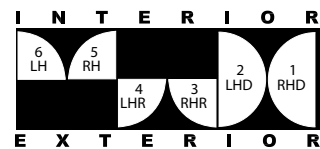
11M0316

PIVOT HINGE FIELD REPLACEMENT



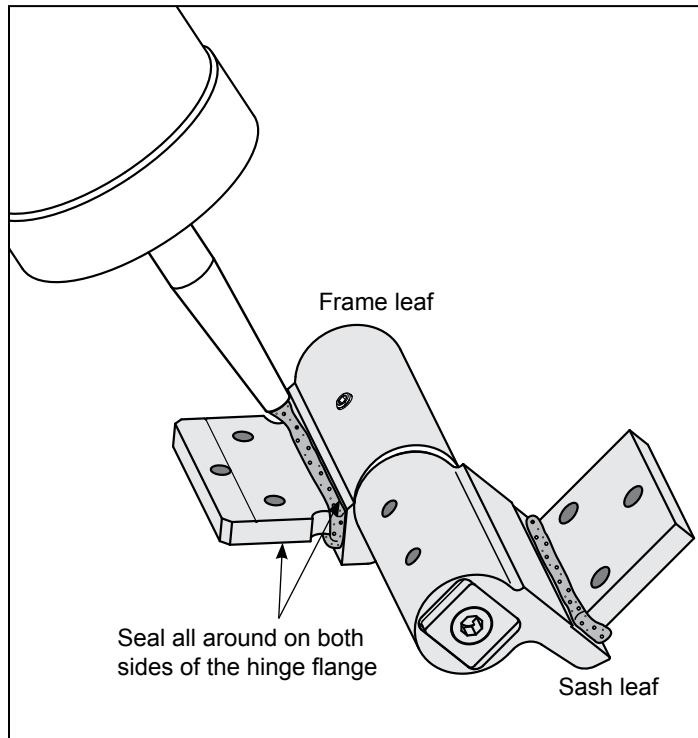
Remove Damaged Hinge:

1. Open door to reveal hinge screws on jamb and sash.
2. Block door on bottom of sash for support.
3. Remove screws from the damaged hinge.
4. Close the door and remove the hinge.
5. Clean exposed fabricated slots of any old sealant or oil.



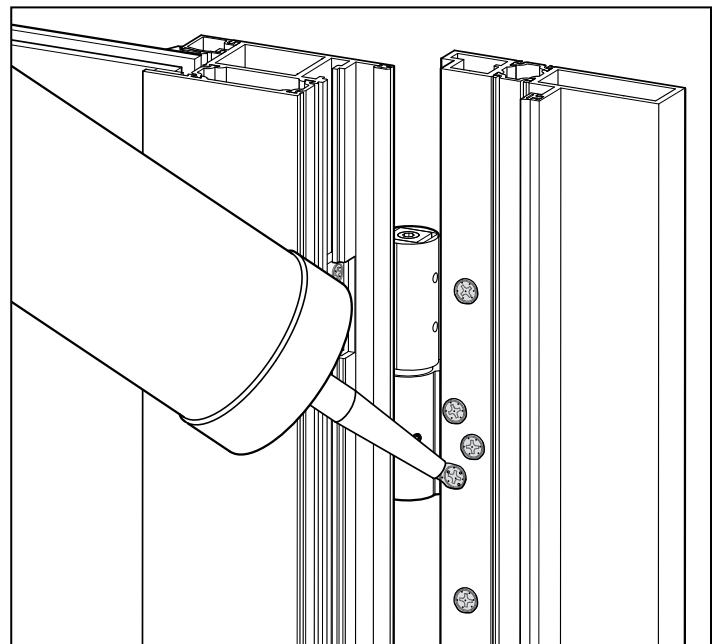
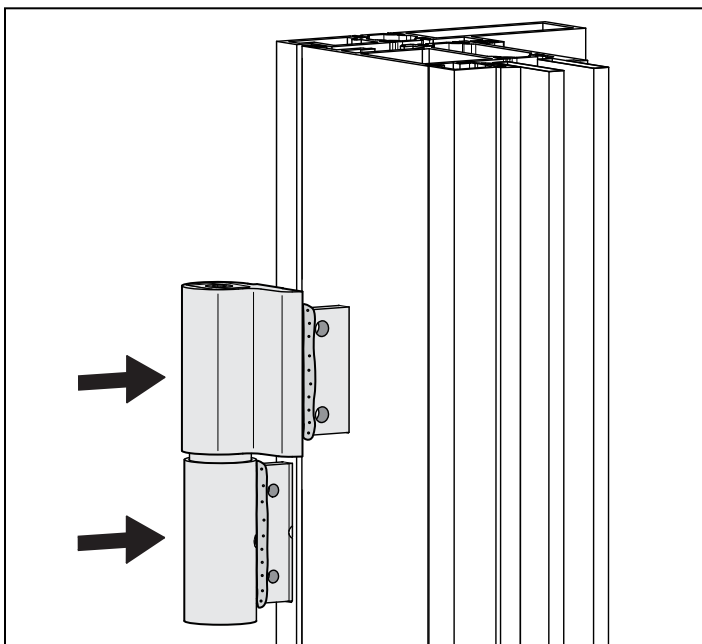
Hinge Placement	Left Hand Reverse (LHR)	Right Hand Reverse (RHR)
Top and Bottom	WH75211RH-for Clear	WH75211LH-for Clear
	WH75222RH-for Bronze	WH75222LH-for Bronze
Mid Section	WH75211MRH-for Clear	WH75211MLH-for Clear
	WH75222MRH-for Bronze	WH75222MLH-for Bronze

SEAL AND ATTACH NEW HINGE



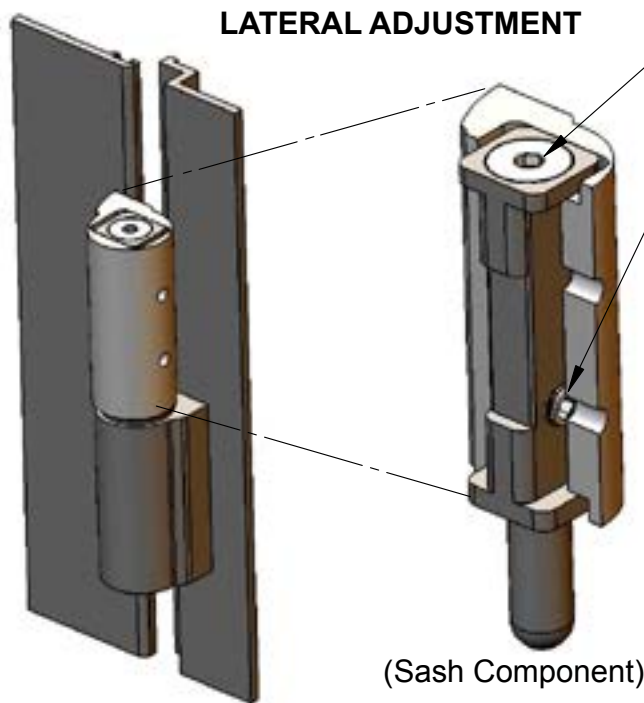
Hinges are factory set to nominal.
ONLY ADJUST AS NECESSARY!

1. Before inserting the new hinge into the slots, apply silicone sealant (Dow 795) to the interior edge of the hinge flange as shown above.
2. Insert the hinge into the slots.
3. Open the door and block the bottom. Align screw holes and secure with screws.
4. Clean excess sealant from around hinge.
5. Seal and tool sealant over all screw heads.
6. Follow hinge adjustment procedures on next page.



OPTIONAL ADJUSTABLE HINGE

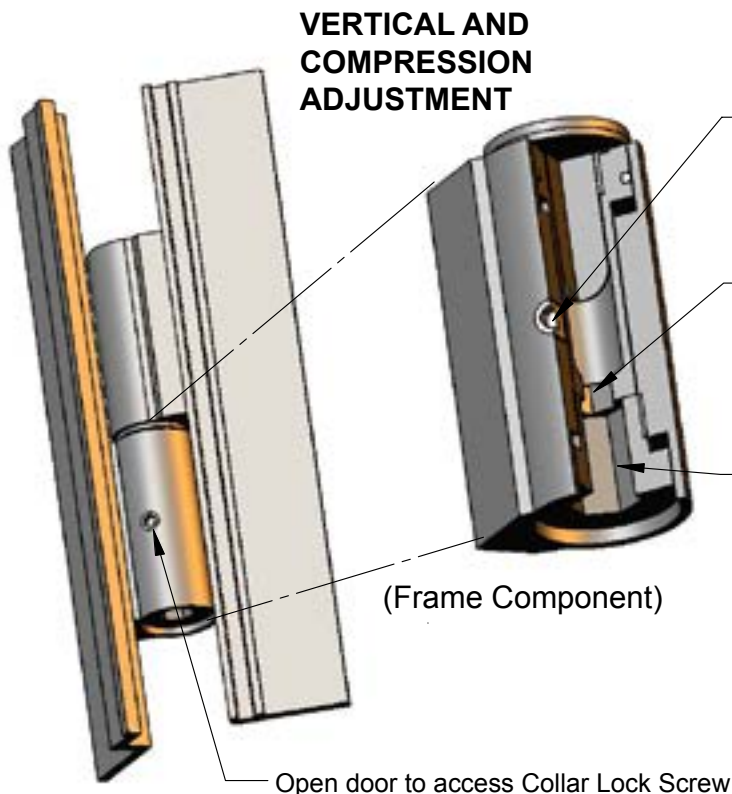
Hinges are factory set to nominal.
ONLY ADJUST AS NECESSARY!



- 1) Using a 5/32" Hex Wrench, just break free the Pin Screw, but do not over loosen the screw. Do this to all hinges.
- 2) Using a 1/8" Hex Wrench, adjust set screw (+/- .070") to desired lateral location on top and bottom hinges (not available on center hinge).
- 3) Re-tighten Pin Screw on all hinges.

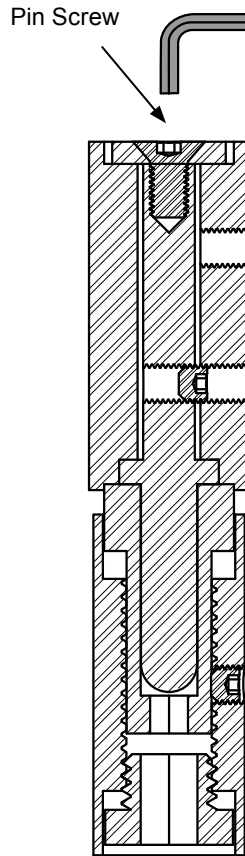
NOTES:

When making vertical and compression adjustments, you must loosen the Collar Lock Screws on all hinges prior to adjusting. After adjusting, make sure Collar Screws are snug prior to tightening the Collar Lock Screw.



- 1) Open door to access Collar Lock Screw. Use a 1/8" Hex Wrench to loosen Collar Lock Screw 1 turn maximum.
- 2) For compression adjustment, use a 1/4" Hex Wrench. Insert into bottom of hinge and adjust Hinge Collar Assembly (+/- .020") to desired compression.
- 3) For vertical adjustment, use a 3/8" Hex Wrench. Insert into bottom of hinge and adjust Collar Screw (+/- .093") to desired vertical location.
- 4) Re-tighten Collar Lock screws.

HINGE ADJUSTMENT (OPTIONAL COMPONENT)



Tilt Adjustment

Top and Bottom Hinges Only

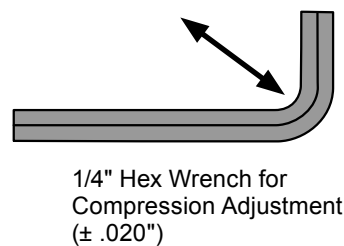
1. 5/32" Hex Wrench
Use to break free Pin Screw on top and bottom hinges only for side-to-side adjustment.
2. Tilt Adjustment Screw $\pm .070"$. (Top and bottom hinges only)

1/8" Hex Wrench
Side-To-Side Adjustment

3. Tighten Pin Screws after adjustments

Compression Adjustment

1. 1/8" Hex Wrench
Loosen Collar Lock Screws on all three hinges (1 turn max.) prior to compression and height adjustments.
2. Tighten Collar Lock Screws after adjustments.

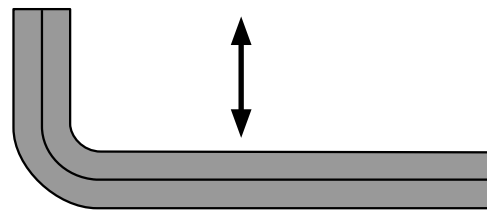


NOTE:

Hex Wrenches are not included with hinge.

NOTE:

Tighten all Pin Screws and Lock Collars when adjustments are completed.



3/8" Hex Wrench for Height Adjustment ($\pm .093"$)