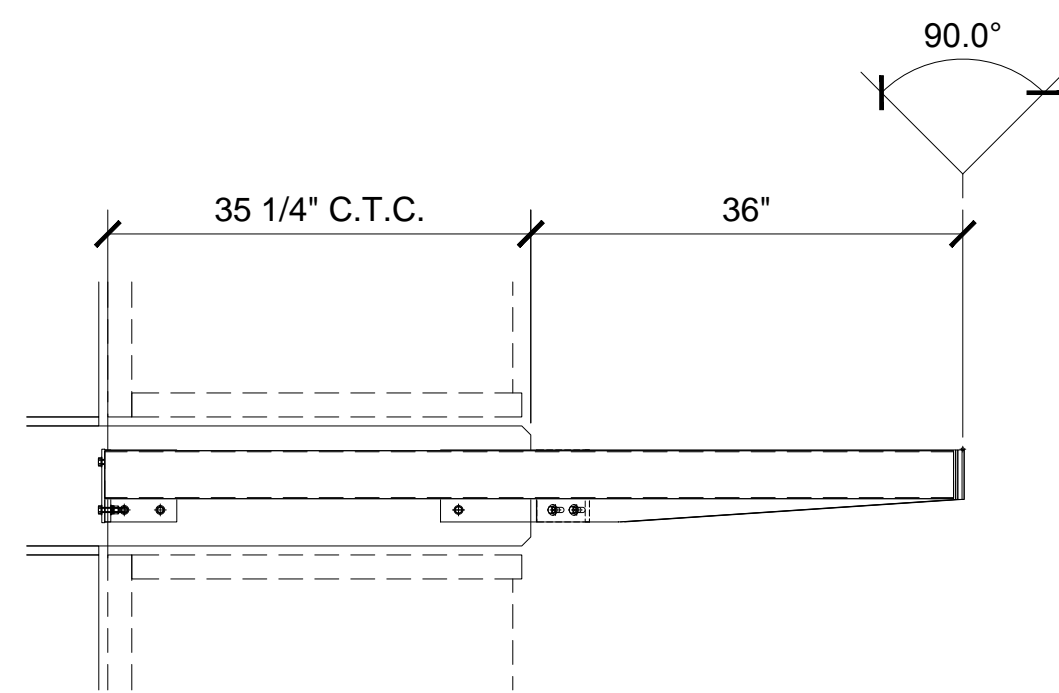
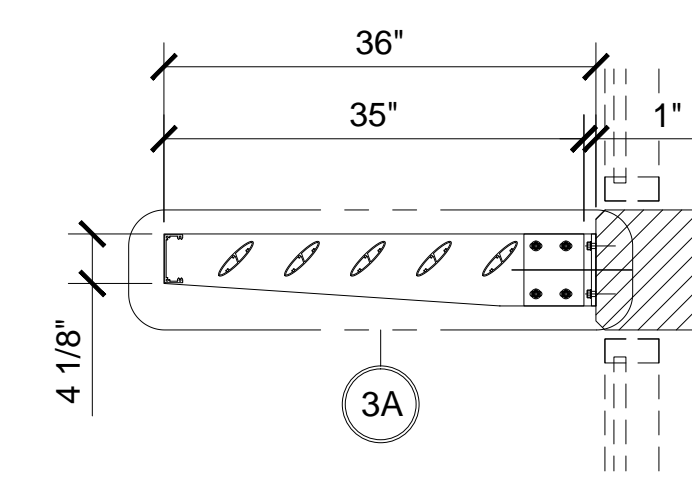
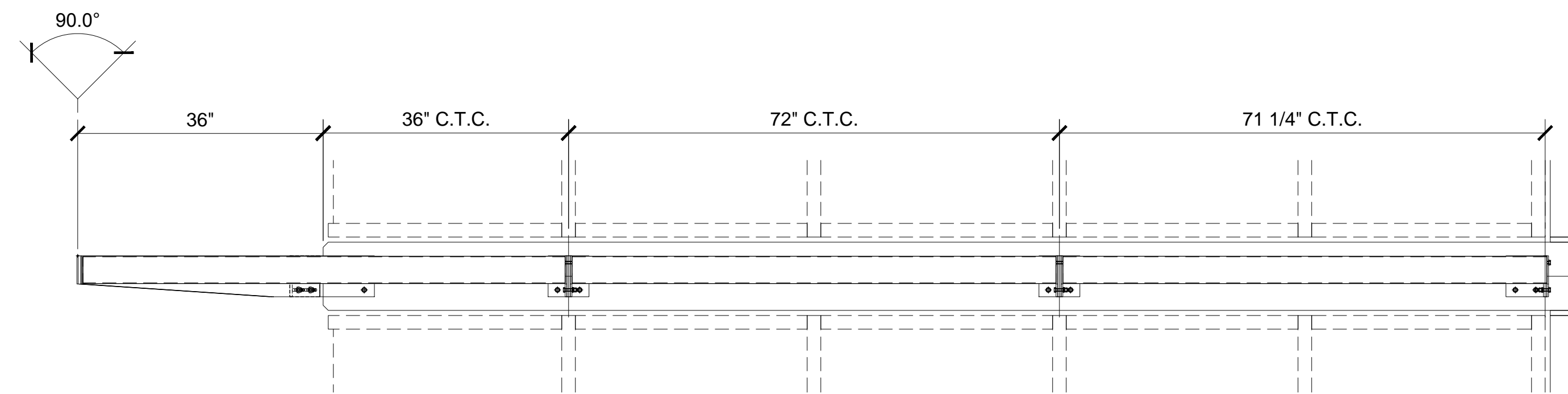


PLAN



ELEVATIONS



SECTION

**CRL US ALUMINUM SUNSHADE SYSTEM 1220 SERIES**  
 6" TAPERED SQUARE OUTRIGGER WITH 1 1/2X4" "C" CHANNEL FASCIA AND 4" AIRFOIL INFILL BLADES

**OUTRIGGER**

- 9 STANDARD OUTRIGGER STYLES
- \*OUTRIGGERS AVAILABLE IN FIVE STANDARD NOMINAL LENGTHS: 24", 30", 36", 42" AND 48"
- \* CUSTOM HEIGHTS AND LENGTHS ARE AVAILABLE
- \* CUSTOM CORNER OUTRIGGER ARE AVAILABLE

**FINISHES**

- 5 STANDARD FINISHES:
- \* MILL
- \* SATIN ANODIZED
- \* DARK BRONZE ANODIZED
- \* POWDER COAT
- \* KYNAR PAINT

**MOUNTING BRACKET**

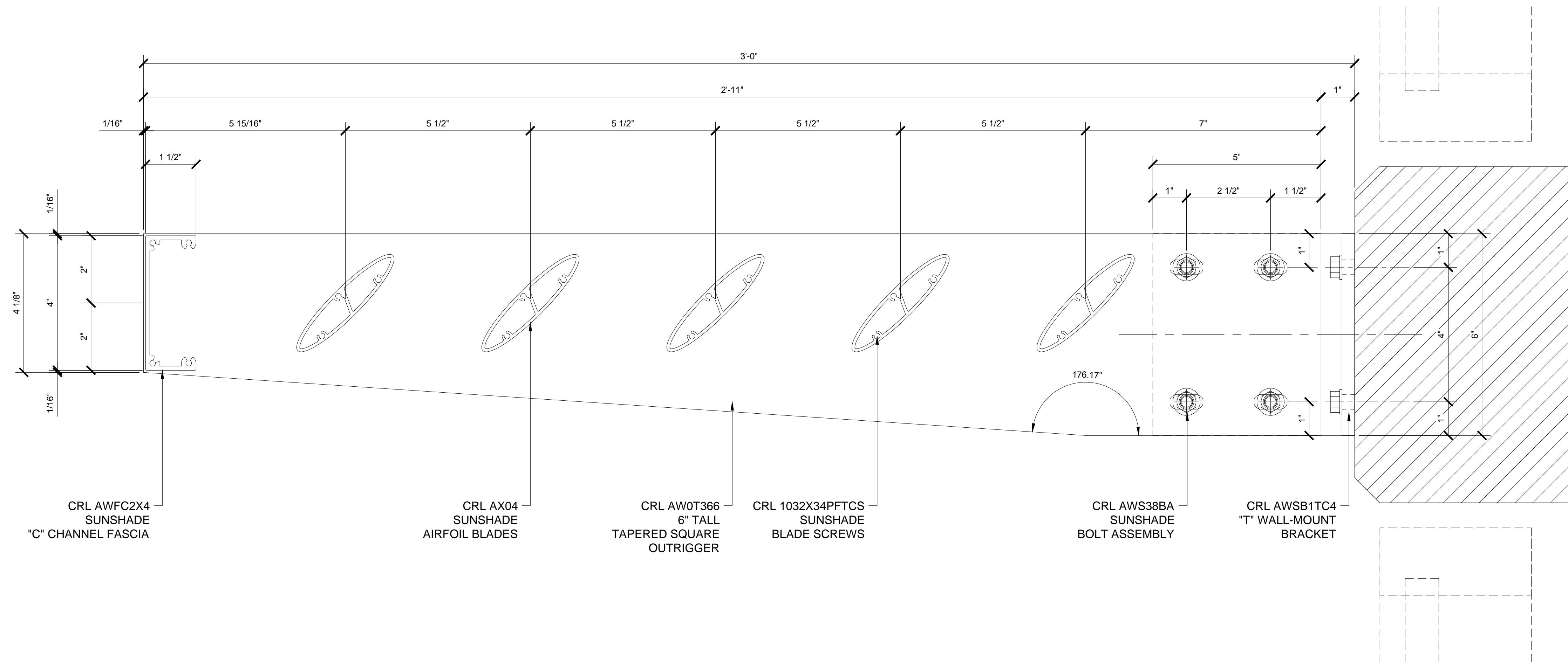
- \* 5 DIFFERENT MOUNTING OPTIONS
- WALL MOUNT BRACKET
- UNIVERSAL CURTAIN WALL MOUNT
- CURTAIN WALL MOUNT (MULLION WEB MOUNT)
- STRUCTURAL SILICONE CURTAIN WALL MOUNT
- STOREFRONT SURFACE MOUNT
- \* CUSTOM MOUNTING BRACKETS ARE AVAILABLE
- \* CUSTOM CORNER MOUNTING BRACKETS ARE AVAILABLE

**FASCIA**

- \*14 DIFFERENT FASCIA OPTIONS
- SQUARE TUBE FASCIA ( 2 STD. SIZES )
- "C" CHANNEL FASCIA ( 2 STD. SIZES )
- ROUND TUBE FASCIA ( 2 STD. SIZES )
- BULLNOSE FASCIA ( 2 STD. SIZES )
- 6" BULLNOSE
- 12" BULLNOSE
- TAPERED NOSE FASCIA
- TEAR DROP TWO-PIECE FASCIA
- SQUARE TWO-PIECE FASCIA
- ROUND TWO-PIECE FASCIA

**INFILL BLADES**

- \* 37 DIFFERENT INFILL BLADE OPTIONS
- AIR FOIL BLADES ( 5 STD. SIZES )
- ROUND TUBE BLADES ( 5 STD. SIZES )
- SQUARE TUBE BLADES ( 5 STD. SIZES )
- RECTANGULAR TUBE BLADES ( 5 STD. SIZES )
- FLAT BAR EXTRUDED BLADES ( 12 STD. SIZES )
- 1/8" THICK BLADES ( 5 SIZES )
- 1/4" THICK BLADES ( 7 SIZES )
- "C", "S" AND "Z", EXTRUDED BLADES
- "C" SHAPED BLADES ( 1 SIZE )
- "S" SHAPED BLADES ( 2 SIZES )
- "Z" SHAPED BLADES ( 2 SIZES )



CRL AWFC2X4  
SUNSHADE  
"C" CHANNEL FASCIA

CRL AX04  
SUNSHADE  
AIRFOIL BLADES

CRL AW0T366  
6" TALL  
TAPERED SQUARE  
OUTRIGGER

CRL 1032X34PFTCS  
SUNSHADE  
BLADE SCREWS

CRL AWS38BA  
SUNSHADE  
BOLT ASSEMBLY

CRL AWSB1TC4  
"T" WALL-MOUNT  
BRACKET

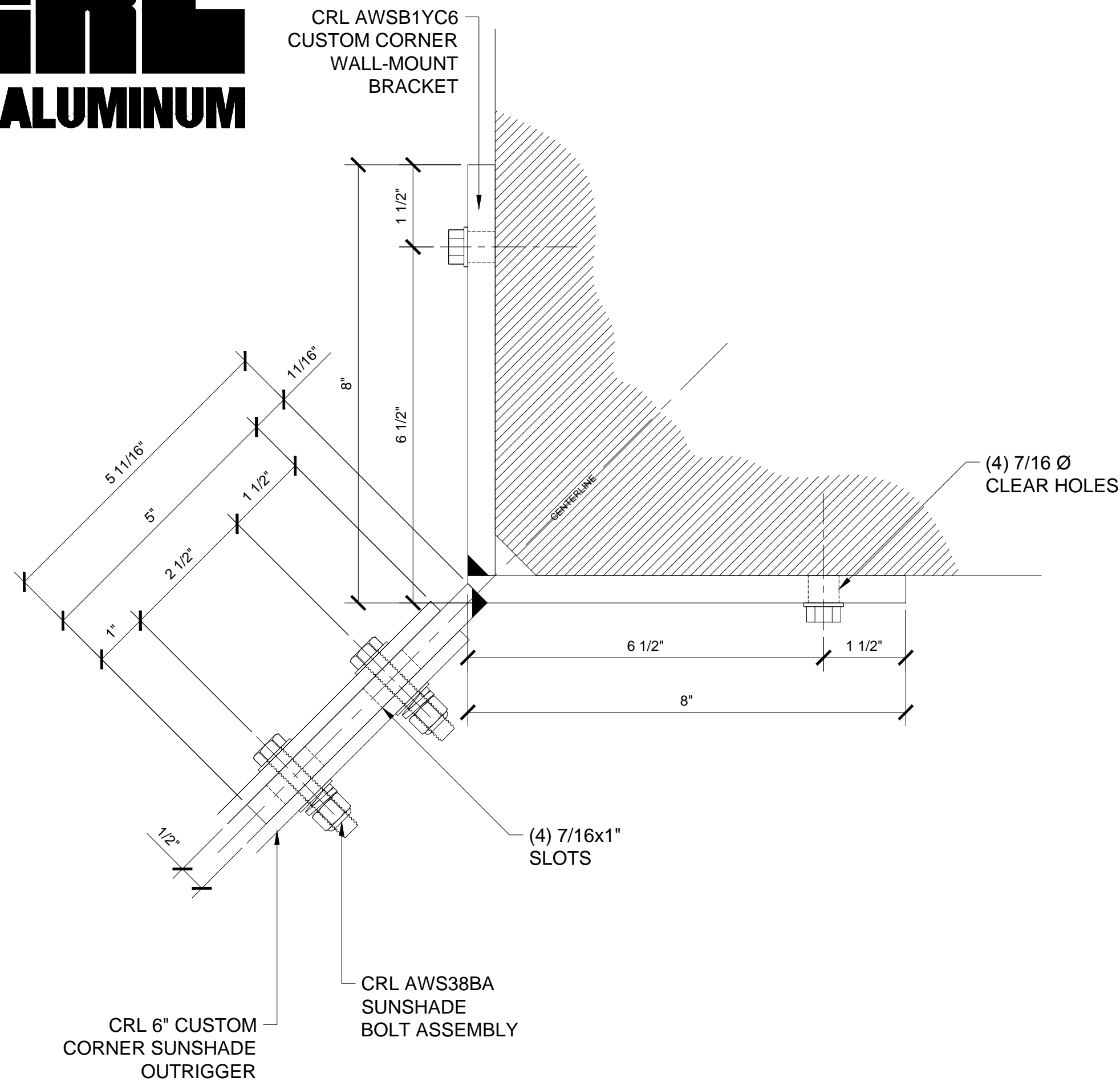
**CRL 36" SUNSHADE SECTION DETAIL**

6" TAPERED SQUARE OUTRIGGER WITH 1 1/2X4" "C" CHANNEL FASCIA AND 4" AIRFOIL INFILL BLADES

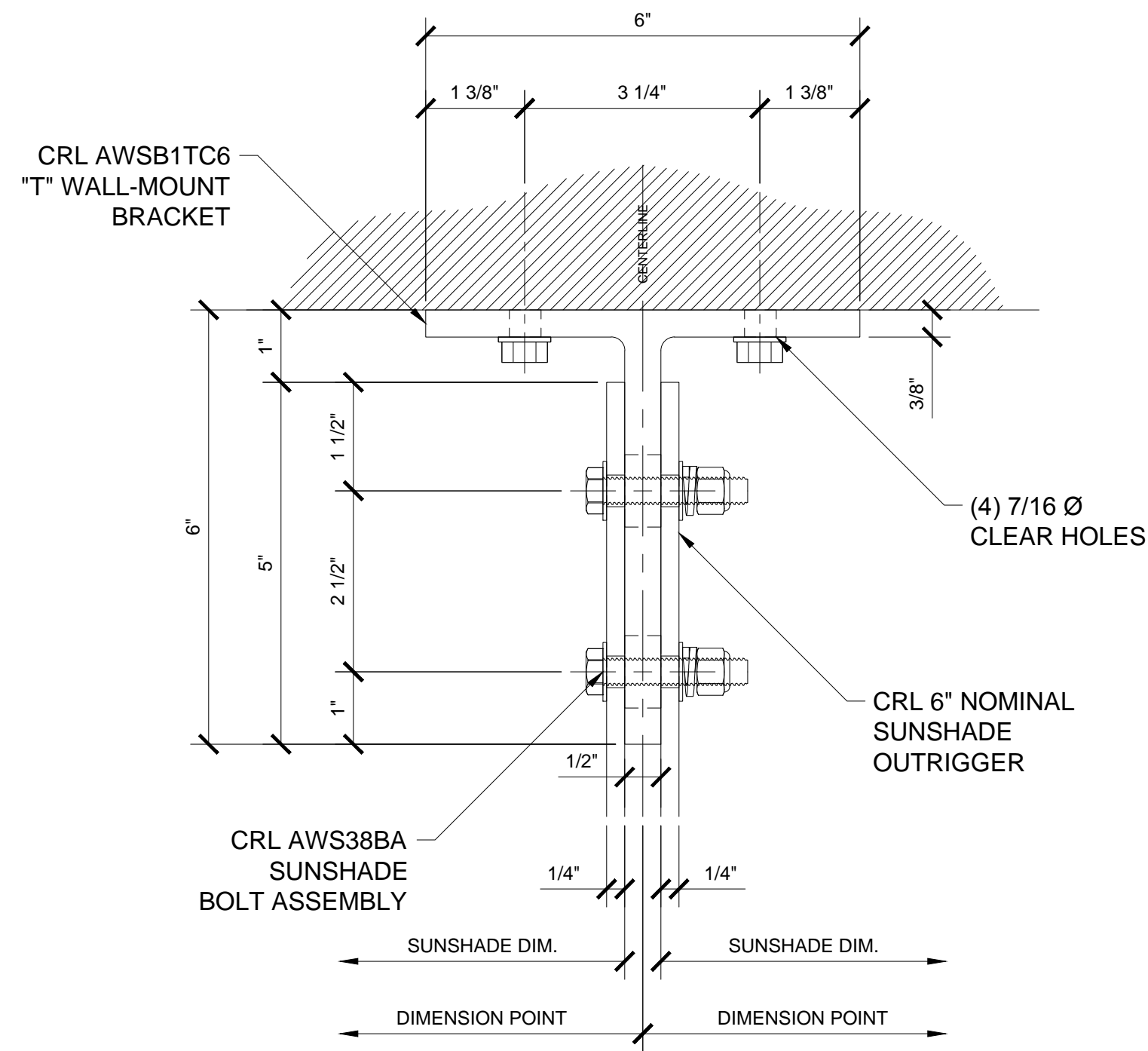
Description:  
CRL U.S. ALUMINUM  
ARCHITECTURAL  
SUNSHADE SYSTEMS  
SERIES 1220

Drawn By: VM  
Date: 01/17/14  
Scale: 6" = 1'-0"  
File Name: CRLUSAL SS 1220.dwg

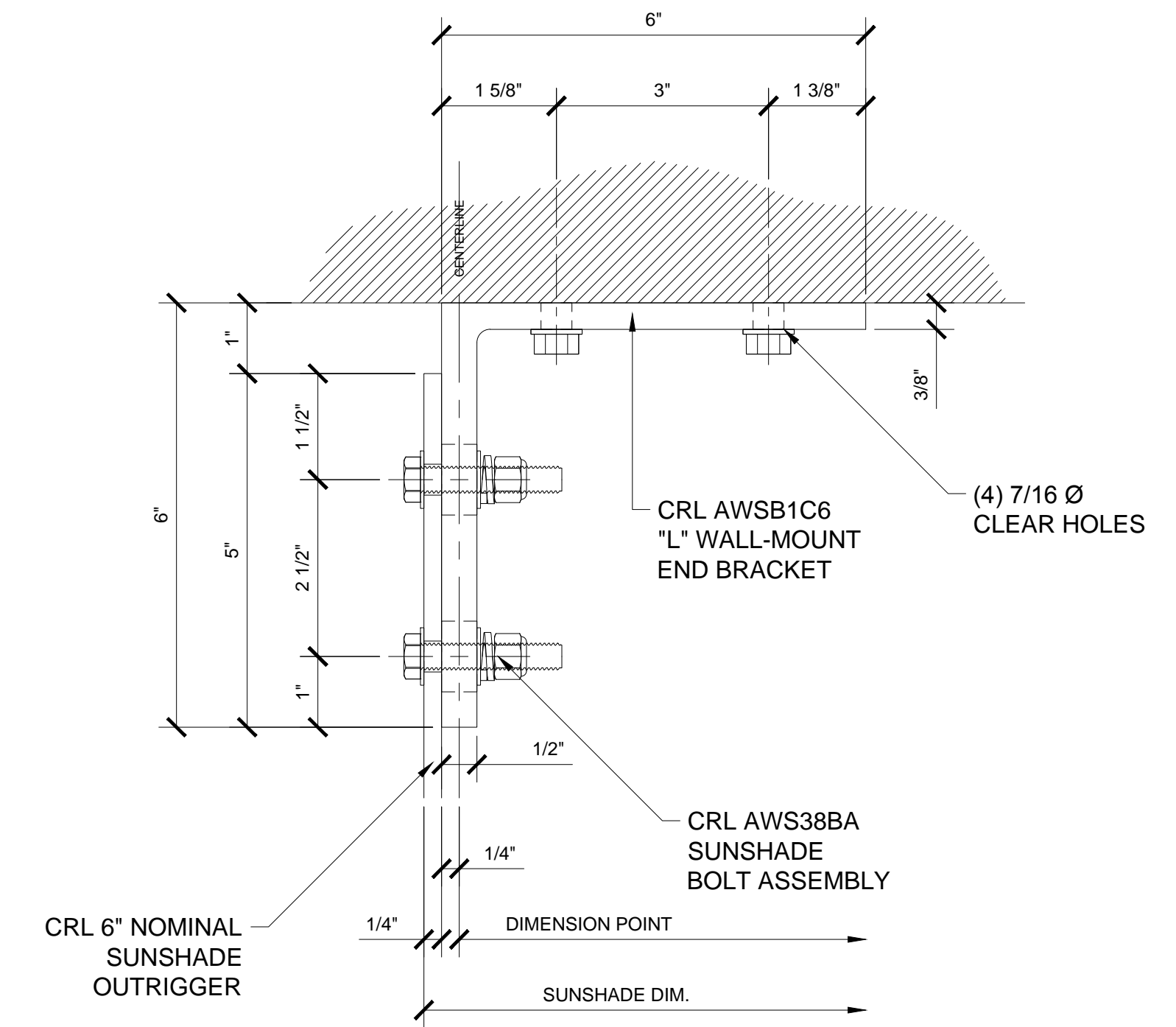
Sheet



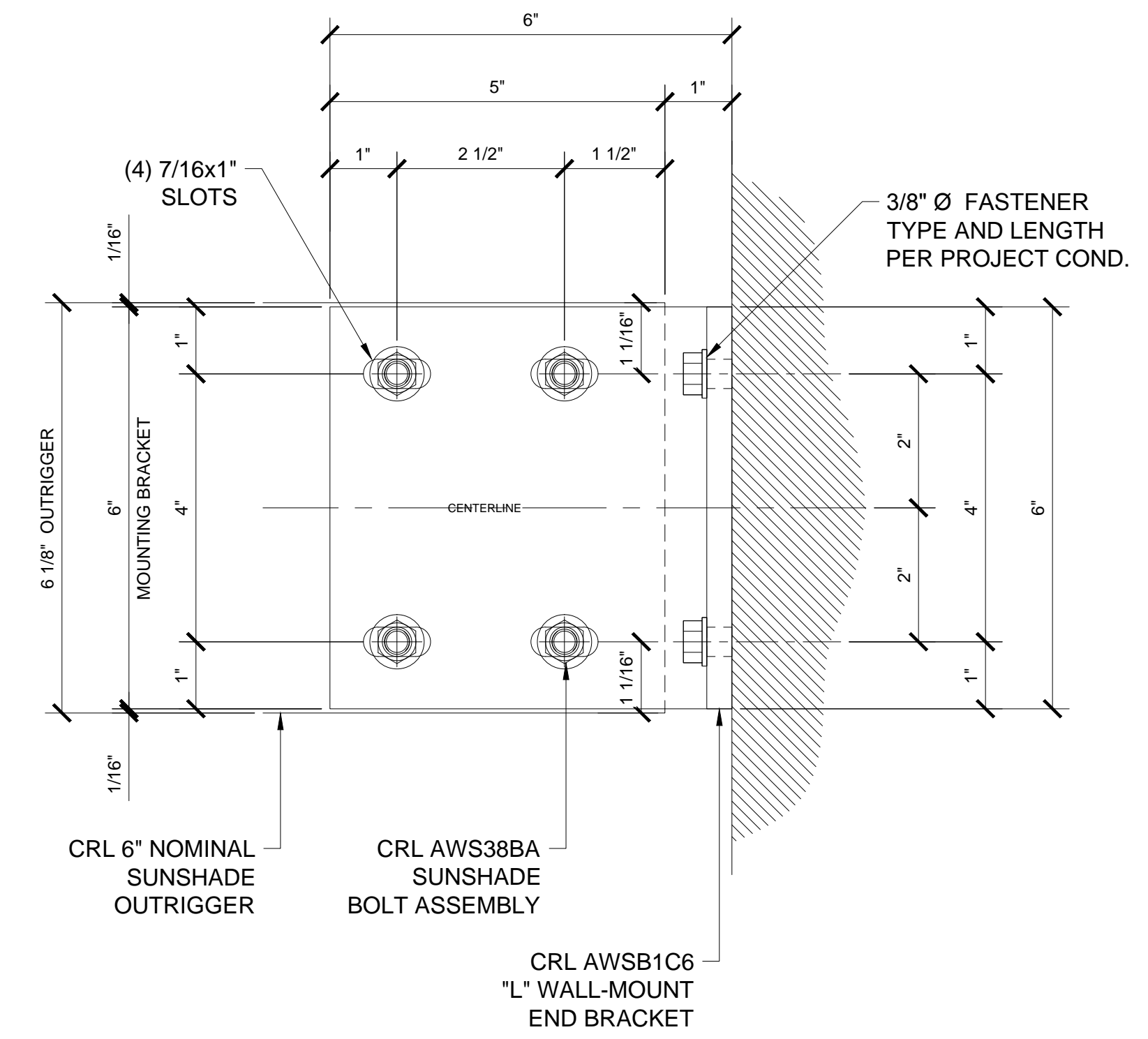
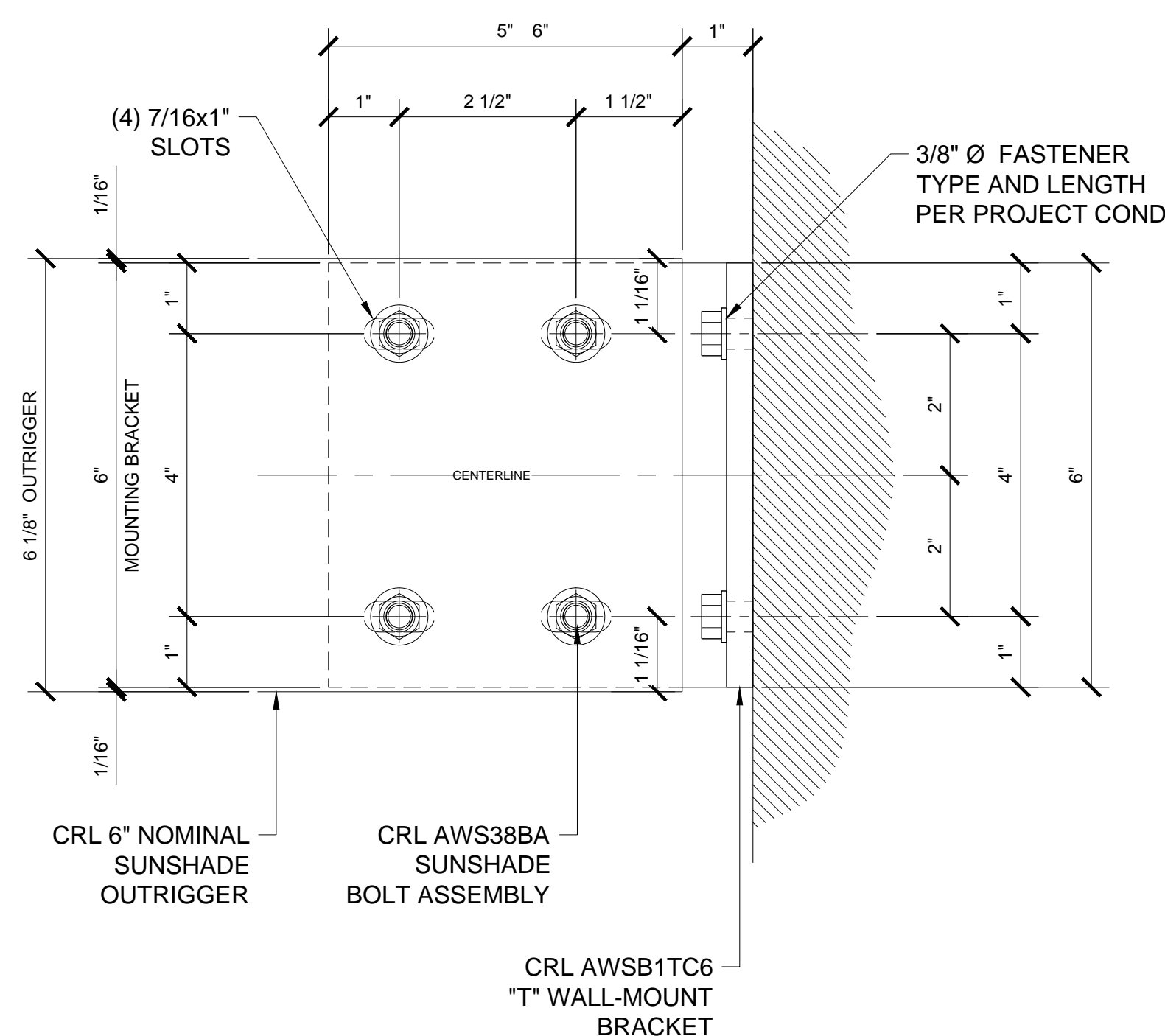
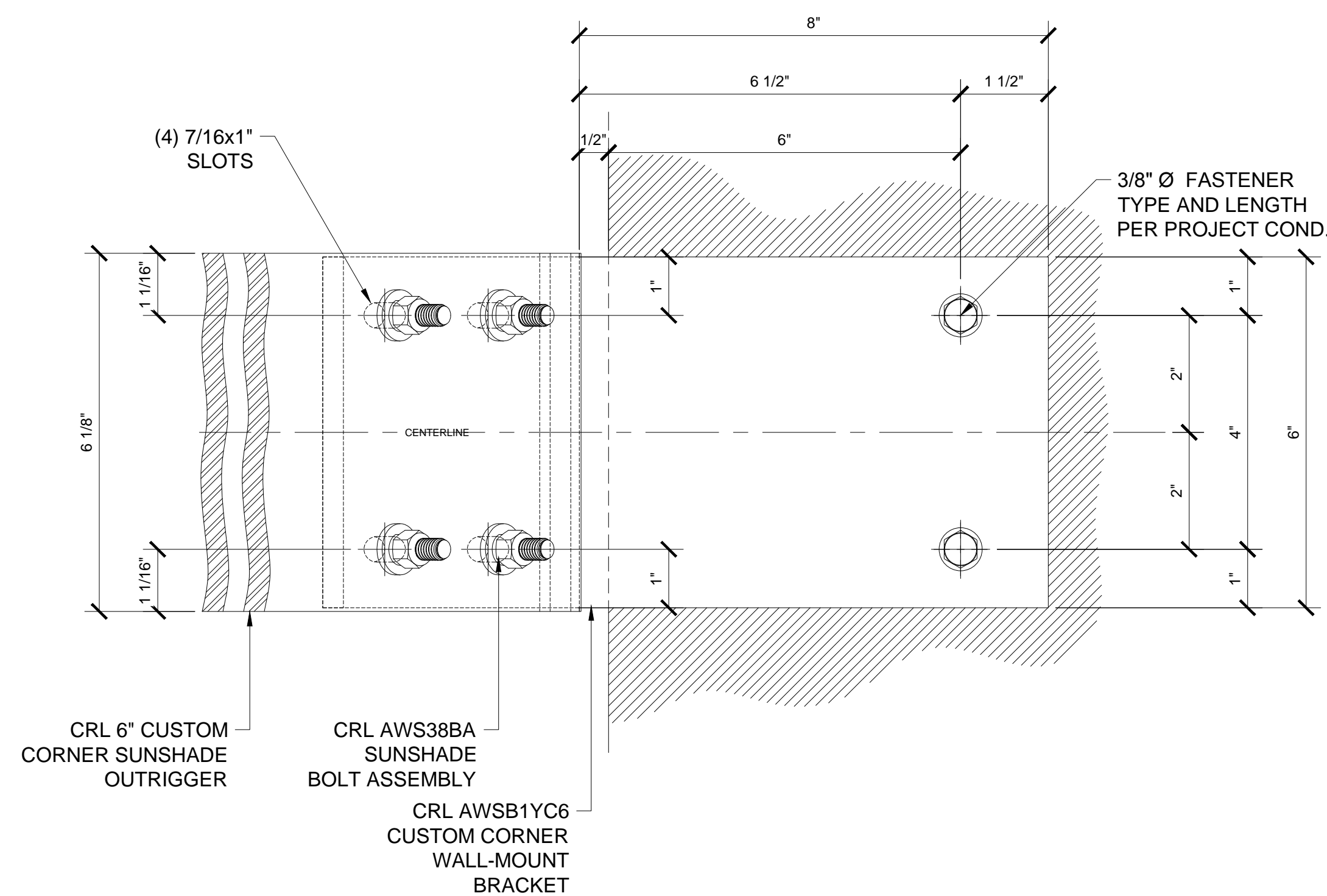
**TYPICAL CORNER 6" BRACKET DETAILS**  
CRL AWSB1YC6 CUSTOM CORNER WALL MOUNT BRACKET



**TYPICAL INTERMEDIATE 6" BRACKET DETAILS**  
CRL AWSB1TC6 "T" WALL MOUNT BRACKET



**TYPICAL END 6" BRACKET DETAILS**  
CRL AWSB1C6 "L" WALL MOUNT END BRACKET



Revisions By:


Discription:  
CRL U.S. ALUMINUM  
ARCHITECTURAL  
SUNSHADE SYSTEMS  
SERIES 1220

Drawn By: VM  
Date: 01/17/14  
Scale: 6" = 1'-0"  
File Name: CRLUSAL SS 1220.dwg