



DEPARTMENT OF REGULATORY AND ECONOMIC RESOURCES (RER)
BOARD AND CODE ADMINISTRATION DIVISION

MIAMI-DADE COUNTY
PRODUCT CONTROL SECTION
11805 SW 26 Street, Room 208
T (786) 315-2590 F (786) 315-2599

NOTICE OF ACCEPTANCE (NOA)

www.miamidade.gov/economy

US Aluminum, Inc. – Division of C.R. Laurence Co., Inc.
7500 NW 69th Avenue
Miami, FL 33166

SCOPE:

This NOA is being issued under the applicable rules and regulations governing the use of construction materials. The documentation submitted has been reviewed and accepted by Miami-Dade County RER - Product Control Section to be used in Miami Dade County and other areas where allowed by the Authority Having Jurisdiction (AHJ).

This NOA shall not be valid after the expiration date stated below. The Miami-Dade County Product Control Section (In Miami Dade County) and/or the AHJ (in areas other than Miami Dade County) reserve the right to have this product or material tested for quality assurance purposes. If this product or material fails to perform in the accepted manner, the manufacturer will incur the expense of such testing and the AHJ may immediately revoke, modify, or suspend the use of such product or material within their jurisdiction. RER reserves the right to revoke this acceptance, if it is determined by Miami-Dade County Product Control Section that this product or material fails to meet the requirements of the applicable building code.

This product is approved as described herein, and has been designed to comply with the Florida Building Code, including the High Velocity Hurricane Zone.

DESCRIPTION: Series "DHS-500" Aluminum Storefront System – L.M.I.

APPROVAL DOCUMENT: Drawing No. W02-27, titled "US Aluminum Series 'DHS-500' Storefront Sys.-(L.M.I.)", sheets 1 through 11 of 11, dated 03-29-02, with revision G dated 02/11/14, prepared by Al Farooq Corporation, signed and sealed by Javad Ahmad, P.E., bearing the Miami-Dade County Product Control Revision stamp with the Notice of Acceptance number and expiration date by the Miami-Dade County Product Control Section.

MISSILE IMPACT RATING: Large and Small Missile Impact Resistant

LABELING: Each unit shall bear a permanent label with the manufacturer's name or logo, city, state, model/series, and following statement: "Miami-Dade County Product Control Approved", unless otherwise noted herein.

RENEWAL of this NOA shall be considered after a renewal application has been filed and there has been no change in the applicable building code negatively affecting the performance of this product.

TERMINATION of this NOA will occur after the expiration date or if there has been a revision or change in the materials, use, and/or manufacture of the product or process. Misuse of this NOA as an endorsement of any product, for sales, advertising or any other purposes shall automatically terminate this NOA. Failure to comply with any section of this NOA shall be cause for termination and removal of NOA.

ADVERTISEMENT: The NOA number preceded by the words Miami-Dade County, Florida, and followed by the expiration date may be displayed in advertising literature. If any portion of the NOA is displayed, then it shall be done in its entirety.

INSPECTION: A copy of this entire NOA shall be provided to the user by the manufacturer or its distributors and shall be available for inspection at the job site at the request of the Building Official.

This NOA revises and renews NOA# 11-0927.06 and consists of this page 1 and evidence pages E-1, E-2 and E-3, as well as approval document mentioned above.

The submitted documentation was reviewed by Manuel Perez, P.E.



Handwritten signature and date: 7/5/14

NOA No. 14-0331.02
Expiration Date: May 20, 2019
Approval Date: May 08, 2014
Page 1

NOTICE OF ACCEPTANCE: EVIDENCE SUBMITTED

A. DRAWINGS

1. Manufacturer's die drawings and sections.
2. Drawing No. **W02-27**, titled "US Aluminum Series "DHS-500" Storefront Sys (L.M.I.)", sheets 1 through 11 of 11, dated 03/29/02, with revision G dated 02/11/14, prepared by Al-Farooq Corporation, signed and sealed by Javad Ahmad, P.E.

B. TESTS

1. Test reports on: 1) Air Infiltration Test, per FBC, TAS 202-94
2) Uniform Static Air Pressure Test, Loading per FBC TAS 202-94
3) Water Resistance Test, per FBC, TAS 202-94
4) Large Missile Impact Test per FBC, TAS 201-94
5) Cyclic Wind Pressure Loading per FBC, TAS 203-94
along with marked-up drawings and installation diagram of series DHS-500 aluminum window wall/storefront system, prepared by Fenestration Testing Laboratory, Inc., Test Report No. **FTL-6554**, dated 07/08/11, signed and sealed by Marlin D. Brinson, P.E.
(Submitted under previous NOA No. 11-0927.06)
2. Test reports on: 1) Air Infiltration Test, per FBC, TAS 202-94
2) Uniform Static Air Pressure Test, Loading per FBC TAS 202-94
3) Water Resistance Test, per FBC, TAS 202-94
4) Large Missile Impact Test per FBC, TAS 201-94
5) Cyclic Wind Pressure Loading per FBC, TAS 203-94
along with marked-up drawings and installation diagram of series DHS-500-1 aluminum window wall system, prepared by Fenestration Testing Laboratory, Inc., Test Report No. **FTL-6075**, dated 10/19/09, signed and sealed by Julio E. Gonzalez, P.E.
(Submitted under previous NOA #10-0308.02)
3. Test reports on: 1) Air Infiltration Test, per FBC, TAS 202-94
2) Uniform Static Air Pressure Test, Loading per FBC TAS 202-94
3) Water Resistance Test, per FBC, TAS 202-94
4) Large Missile Impact Test per FBC, TAS 201-94
5) Cyclic Wind Pressure Loading per FBC, TAS 203-94
along with marked-up drawings and installation diagram of series DHS-500-1 aluminum storefront system, prepared by Fenestration Testing Laboratory, Inc., Test Report No. **FTL-5662**, dated 06/19/08, signed and sealed by Carlos Rionda, P.E.
(Submitted under previous NOA #09-0218.05)



Manuel Perez, P.E.

Product Control Examiner

NOA No. 14-0331.02

Expiration Date: May 20, 2019

Approval Date: May 08, 2014

NOTICE OF ACCEPTANCE: EVIDENCE SUBMITTED

B. TESTS (CONTINUED)

4. Test reports on: 1) Air Infiltration Test, per FBC, TAS 202-94
2) Uniform Static Air Pressure Test, Loading per FBC TAS 202-94
3) Water Resistance Test, per FBC, TAS 202-94
4) Large Missile Impact Test per FBC, TAS 201-94
5) Cyclic Wind Pressure Loading per FBC, TAS 203-94
along with marked-up drawings and installation diagram of series DHS-500 aluminum window wall system, prepared by Fenestration Testing Laboratory, Inc., Test Report No. **FTL-4115**, dated 03/24/04, signed and sealed by Edmundo Largaespada, P.E.
(Submitted under previous NOA #04-0331.02)
5. Test reports on: 1) Air Infiltration Test, per FBC, TAS 202-94
2) Uniform Static Air Pressure Test, Loading per FBC TAS 202-94
3) Water Resistance Test, per FBC, TAS 202-94
4) Large Missile Impact Test per FBC, TAS 201-94
5) Cyclic Wind Pressure Loading per FBC, TAS 203-94
along with marked-up drawings and installation diagram of series DHS-500 aluminum window wall system, prepared by Fenestration Testing Laboratory, Inc., Test Report No. **FTL-4042**, dated 01/26/04, signed and sealed by Edmundo Largaespada, P.E.
(Submitted under previous NOA #04-0331.02)

C. CALCULATIONS:


1. Anchor verification calculations and structural analysis, complying with FBC-2007 and FBC-2010, prepared by Al-Farooq Corporation, dated 09/15/11, signed and sealed by Javad Ahmad, P.E.
(Submitted under previous NOA No. 11-0927.06)
2. Glazing complies with ASTM E1300-04

D. QUALITY ASSURANCE

1. Miami-Dade Department of Regulatory and Economic Resources (RER)

E. MATERIAL CERTIFICATIONS

1. Notice of Acceptance No. **13-0129.27** issued to **E.I. DuPont DeNemours & Co., Inc.** for their "**DuPont Butacite® PVB Interlayer**" dated 04/11/13, expiring on 12/11/16.
2. Notice of Acceptance No. **11-0624.02** issued to **E.I. DuPont DeNemours & Co., Inc.** for their "**DuPont SentryGlas® Interlayer**" dated 08/25/11, expiring on 01/14/17.
3. Notice of Acceptance No. **13-0814.01** issued to **Oldcastle Glass Inc.** for their "**StormGlass™ Glass Interlayer**", dated 10/24/13, expiring on 12/11/18.


Manuel Perez, P.E.
Product Control Examiner
NOA No. 14-0331.02
Expiration Date: May 20, 2019
Approval Date: May 08, 2014

US Aluminum, Inc. – Division of C.R. Laurence Co., Inc.

NOTICE OF ACCEPTANCE: EVIDENCE SUBMITTED

F. STATEMENTS

1. Statement letter of conformance, complying with **FBC-5th Edition (2014)**, issued by Al-Farooq Corporation, dated May 1, 2014, signed and sealed by Javad Ahmad, P.E.
2. Statement letter of conformance with the FBC-2007 and FBC-2010, and of no financial interest, dated December 05, 2011, signed and sealed by Javad Ahmad, P.E. *(Submitted under previous NOA No. 11-0927.06)*

G. OTHERS

1. Notice of Acceptance No. **11-0927.06**, issued to US Aluminum, Inc. – Division of C.R. Laurence., Inc. for their Series “Delta Doors DHS-500” Aluminum Storefront System, approved on 12/15/11 and expiring on 05/20/14.



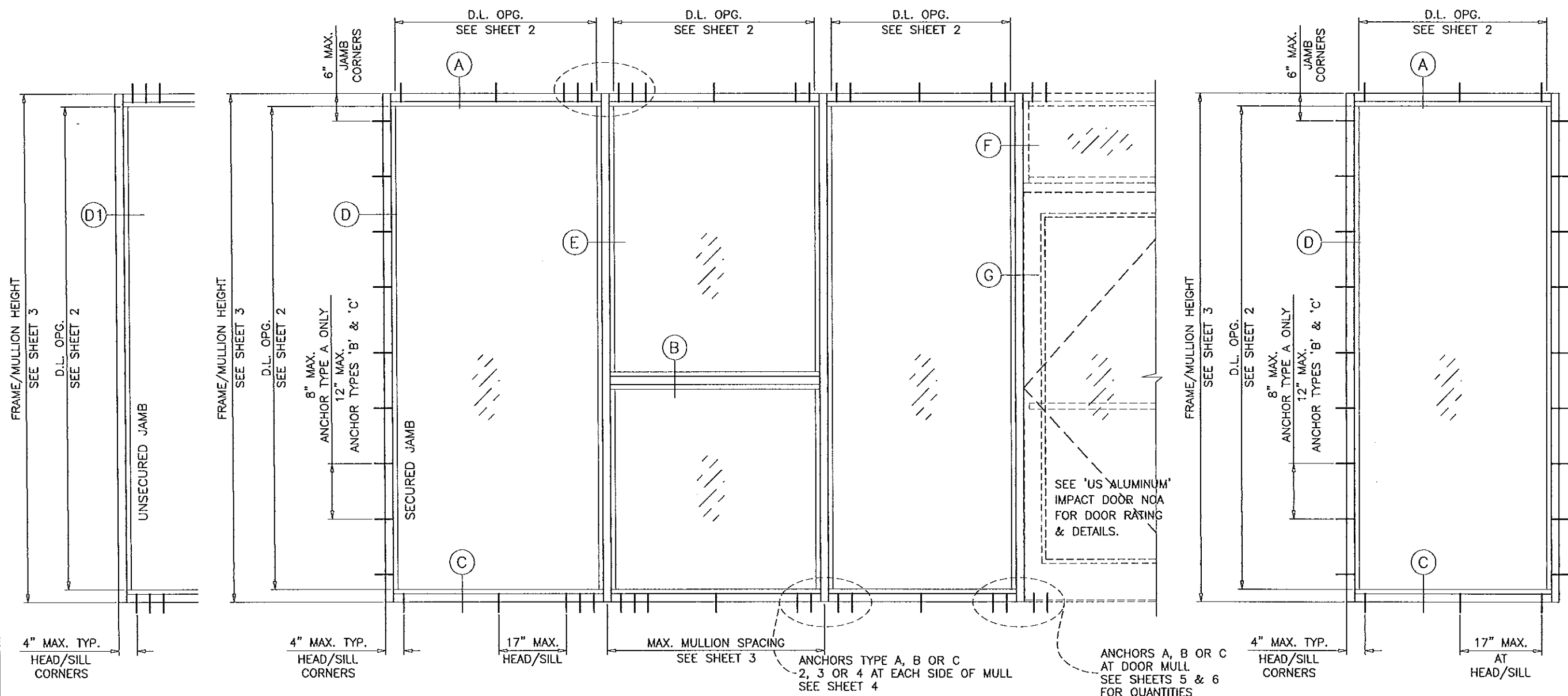
Manuel Perez, P.E.

Product Control Examiner

NOA No. ~~14-0331.02~~

Expiration Date: May 20, 2019

Approval Date:



TYPICAL ELEVATIONS

**US ALUMINUM SERIES 'DHS-500'
ALUMINUM WINDOW WALL STOREFRONT SYSTEM**

THIS SYSTEM MAY BE USED IN CONJUNCTION WITH MIAMI-DADE COUNTY APPR'D LARGE MISSILE IMPACT RESISTANT DOORS. LOWER DESIGN PRESSURE FROM STOREFRONT OR DOOR APPROVAL WILL APPLY TO ENTIRE SYSTEM.

CODE REQUIREMENTS FOR SAFEGUARDS MUST BE OBSERVED.

THIS PRODUCT HAS BEEN DESIGNED AND TESTED TO COMPLY WITH THE REQUIREMENTS OF THE FLORIDA BUILDING CODE INCLUDING HIGH VELOCITY HURRICANE ZONE (HVHZ).

WOOD BUCKS BY OTHERS, MUST BE ANCHORED PROPERLY TO TRANSFER LOADS TO THE STRUCTURE.

ANCHORS SHALL BE AS LISTED, SPACED AS SHOWN ON DETAILS, ANCHORS EMBEDMENT TO BASE MATERIAL SHALL BE BEYOND WALL DRESSING OR STUCCO.

ANCHORING OR LOADING CONDITIONS NOT SHOWN IN THESE DETAILS ARE NOT PART OF THIS APPROVAL.

A LOAD DURATION INCREASE IS USED IN DESIGN OF ANCHORS INTO WOOD ONLY.

MATERIALS INCLUDING BUT NOT LIMITED TO STEEL/METAL SCREWS, THAT COME INTO CONTACT WITH OTHER DISSIMILAR MATERIALS SHALL MEET THE REQUIREMENTS OF THE FLORIDA BLDG. CODE.

THIS SYSTEM IS RATED FOR LARGE & SMALL MISSILE IMPACT. SHUTTERS ARE NOT REQUIRED.

INSTRUCTIONS:

USE CHARTS AS FOLLOWS.

- STEP 1** DETERMINE DESIGN WIND LOAD REQUIREMENT BASED ON WIND VELOCITY, BLDG. HEIGHT, WIND ZONE USING APPLICABLE ASCE 7 STANDARD.
- STEP 2** SEE CHARTS ON SHEET 2 FOR DESIGN LOAD CAPACITY OF DESIRED GLASS SIZE.
- STEP 3** CHECK MULLION CAPACITY FOR A GIVEN SPACING AND HEIGHT USING CHARTS ON SHEET 3 FOR STOREFRONT MULLION AND SHEETS 5 & 6 FOR DOOR MULLION. THE CAPACITY SHOULD EXCEED THE DESIGN LOAD.
- STEP 4** USING CHARTS ON SHEET 4 FOR STOREFRONT MULLION AND CHARTS ON SHEETS 5 & 6 FOR DOOR MULLION SELECT ANCHOR OPTION WITH DESIGN RATING MORE THAN DESIGN LOAD SPECIFIED IN STEP 1 ABOVE.
- STEP 5** THE LOWEST VALUE RESULTING FROM STEPS 2, 3 AND 4 SHALL APPLY TO ENTIRE SYSTEM.

D.L.O. HEIGHT = FRAME HEIGHT - 5.5" (WINDOW WALL SYS. W/O HORIZONTALS)
D.L.O. WIDTH = FRAME WIDTH - 5.5" (SINGLE PANEL)
MULLION CL TO CL SPACING - 3.75" (MULTIPLE PANELS)

**LAMINATED GLASS
LAM. INSUL. GLASS
LARGE MISSILE IMPACT**

Engr: JAVAD AHMAD
CIVIL
FLA. PE # 70592
C.A.N. 3538
FEB 13 2014

PRODUCT REVISED
as complying with the Florida
Building Code
Acceptance No. 14-0331.02
Expiration Date May 20, 2019
By: *Manuel Diaz*
Miami Dade Product Control

af c
AL-FAROOQ CORPORATION
ENGINEERS & PRODUCT DEVELOPMENT
1235 S.W. 87 AVE
MIAMI, FLORIDA 33174
TEL. (305) 264-8100 FAX (305) 262-6978
STORE 02-27DD

US Aluminum Series 'DHS-500' Storefront Sys. (L.M.I.)
US Aluminum Inc.
Division Of C.R. Laurence Co., Inc.
7500 N.W. 69TH AVE.
MIAMI, FL 33166
TEL. (305) 888-0077 FAX. (305) 884-3111

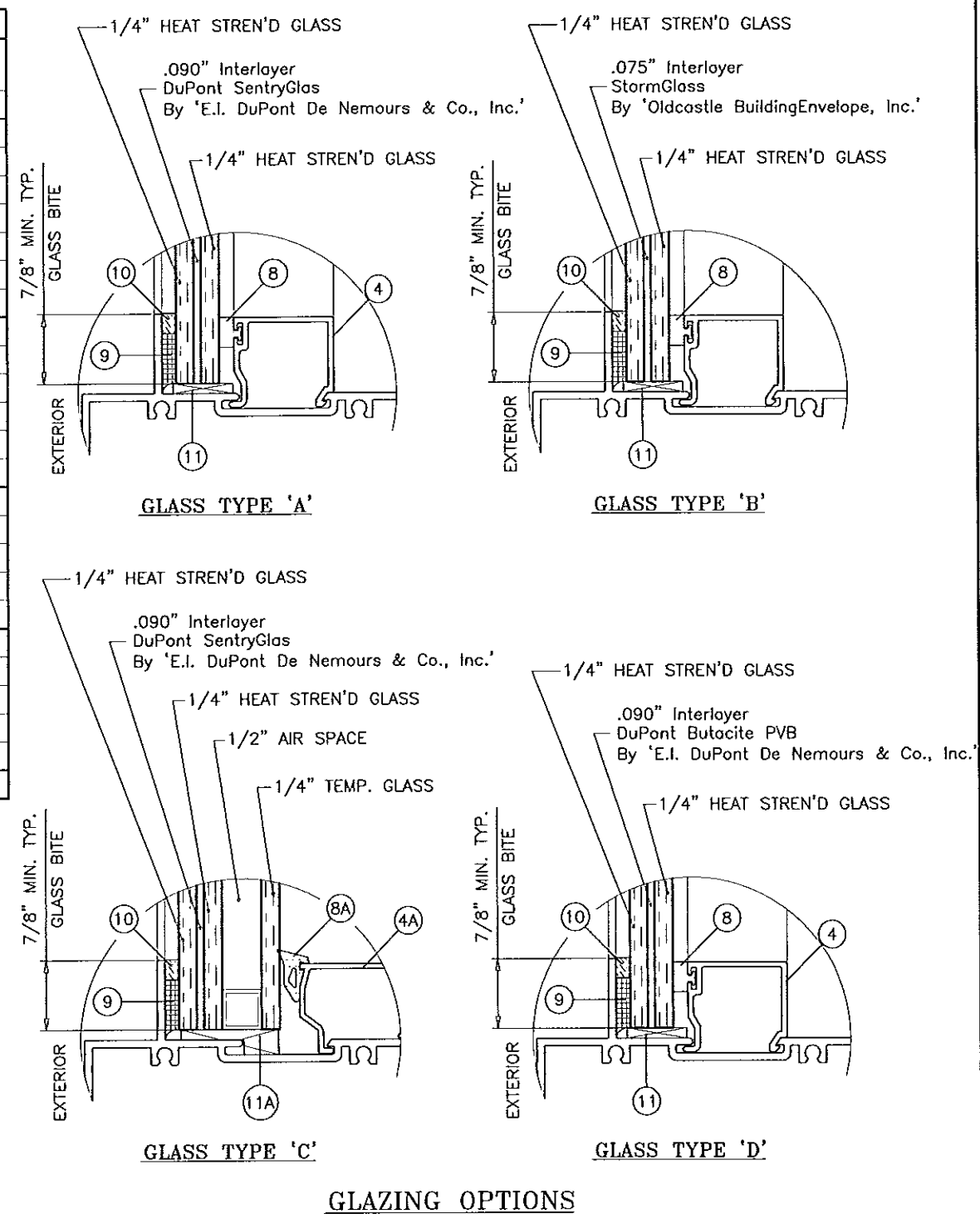
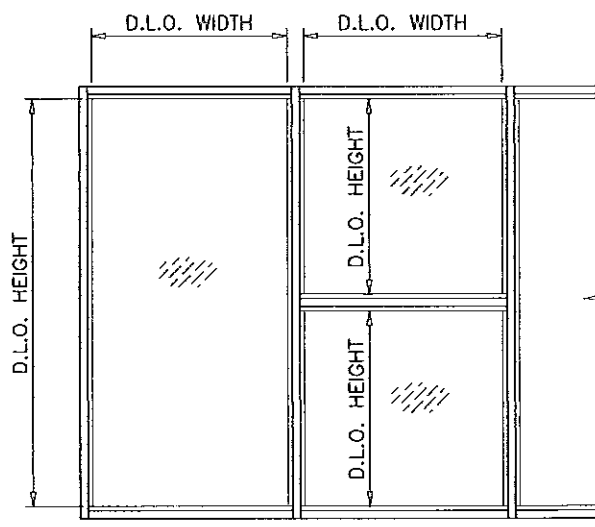
no	date	description	by
C	08.06.08	NO CHANGE THIS SHEET	
D	11.16.09	LAM. INSUL. GLASS ADDED	
E	06.15.10	REV. PER BCCO COMMENTS	
F	09.19.11	ANCHOR & GLASS OPTIONS ADD.	
G	02.11.14	NAME UPDATED	

date: 03-29-02
scale: 1/2"=1'-0"
dr. by: HAMID
chk. by:

drawing no. **W02-27**
sheet 1 of 11

GLASS LOAD CAPACITY - PSF							
NOMINAL DIMS.		GLASS TYPES 'A' & 'B'		GLASS TYPE 'C'		GLASS TYPE 'D'	
D.L.O. WIDTH	D.L.O. HEIGHT	EXT.(+)	INT.(-)	EXT.(+)	INT.(-)	EXT.(+)	INT.(-)
28"	60"	100.0	130.0	120.0	130.0	80.0	80.0
32"		100.0	130.0	120.0	130.0	80.0	80.0
36"		100.0	130.0	120.0	130.0	80.0	80.0
40"		100.0	130.0	120.0	130.0	80.0	80.0
44"		100.0	130.0	120.0	130.0	80.0	80.0
48"		100.0	130.0	120.0	130.0	80.0	80.0
52"		100.0	130.0	120.0	130.0	80.0	80.0
56"		100.0	130.0	120.0	130.0	80.0	80.0
60"		100.0	130.0	120.0	130.0	80.0	80.0
60"		100.0	130.0	120.0	130.0	80.0	80.0
28"	66"	100.0	130.0	120.0	130.0	80.0	80.0
32"		100.0	130.0	120.0	130.0	80.0	80.0
36"		100.0	130.0	120.0	130.0	80.0	80.0
40"		100.0	130.0	120.0	130.0	80.0	80.0
44"		100.0	130.0	120.0	130.0	80.0	80.0
48"		100.0	130.0	120.0	130.0	80.0	80.0
52"		100.0	130.0	120.0	130.0	80.0	80.0
56"		100.0	130.0	120.0	130.0	80.0	80.0
60"		100.0	130.0	120.0	130.0	80.0	80.0
60"		100.0	130.0	120.0	130.0	80.0	80.0
28"	72"	100.0	130.0	120.0	130.0	80.0	80.0
32"		100.0	130.0	120.0	130.0	80.0	80.0
36"		100.0	130.0	120.0	130.0	80.0	80.0
40"		100.0	130.0	120.0	130.0	80.0	80.0
44"		100.0	130.0	120.0	130.0	80.0	80.0
48"		100.0	130.0	120.0	130.0	80.0	80.0
52"		100.0	130.0	120.0	130.0	80.0	80.0
56"		100.0	130.0	120.0	130.0	80.0	80.0
60"		100.0	130.0	120.0	130.0	80.0	80.0
60"		100.0	130.0	120.0	130.0	80.0	80.0
28"	78"	100.0	130.0	120.0	130.0	80.0	80.0
32"		100.0	130.0	120.0	130.0	80.0	80.0
36"		100.0	130.0	120.0	130.0	80.0	80.0
40"		100.0	130.0	120.0	130.0	80.0	80.0
44"		100.0	130.0	120.0	130.0	80.0	80.0
48"		100.0	130.0	120.0	130.0	80.0	80.0
52"		100.0	130.0	120.0	130.0	80.0	80.0
56"		100.0	130.0	120.0	130.0	80.0	80.0
60"		100.0	130.0	120.0	130.0	80.0	80.0
60"		100.0	130.0	120.0	130.0	80.0	80.0
28"	84"	100.0	130.0	120.0	130.0	80.0	80.0
32"		100.0	130.0	120.0	130.0	80.0	80.0
36"		100.0	130.0	120.0	130.0	80.0	80.0
40"		100.0	130.0	120.0	130.0	80.0	80.0
44"		100.0	130.0	120.0	130.0	80.0	80.0
48"		100.0	130.0	120.0	130.0	80.0	80.0
52"		100.0	130.0	120.0	130.0	80.0	80.0
56"		100.0	130.0	120.0	130.0	80.0	80.0
60"		100.0	130.0	120.0	130.0	80.0	80.0
60"		100.0	130.0	120.0	130.0	80.0	80.0
28"	90"	100.0	130.0	120.0	130.0	80.0	80.0
32"		100.0	130.0	120.0	130.0	80.0	80.0
36"		100.0	130.0	120.0	130.0	80.0	80.0
40"		100.0	130.0	120.0	130.0	80.0	80.0
44"		100.0	130.0	120.0	130.0	80.0	80.0
48"		100.0	130.0	120.0	130.0	80.0	80.0
52"		100.0	130.0	120.0	130.0	80.0	80.0
56"		100.0	130.0	120.0	130.0	80.0	80.0
60"		100.0	130.0	120.0	130.0	80.0	80.0
60"		100.0	130.0	120.0	130.0	80.0	80.0

GLASS LOAD CAPACITY - PSF							
NOMINAL DIMS.		GLASS TYPES 'A' & 'B'		GLASS TYPE 'C'		GLASS TYPE 'D'	
D.L.O. WIDTH	D.L.O. HEIGHT	EXT.(+)	INT.(-)	EXT.(+)	INT.(-)	EXT.(+)	INT.(-)
28"	96"	100.0	130.0	120.0	130.0	80.0	80.0
32"		100.0	130.0	120.0	130.0	80.0	80.0
36"		100.0	130.0	120.0	130.0	80.0	80.0
40"		100.0	130.0	120.0	130.0	80.0	80.0
44"		100.0	130.0	120.0	130.0	80.0	80.0
48"		100.0	130.0	120.0	130.0	80.0	80.0
52"	100.0	127.8	120.0	130.0	80.0	80.0	
28"	102"	100.0	130.0	120.0	130.0	80.0	80.0
32"		100.0	130.0	120.0	130.0	80.0	80.0
36"		100.0	130.0	120.0	130.0	80.0	80.0
40"		100.0	130.0	120.0	130.0	80.0	80.0
44"		100.0	130.0	120.0	130.0	80.0	80.0
48"	100.0	129.4	120.0	130.0	80.0	80.0	
28"	108"	100.0	130.0	120.0	130.0	80.0	80.0
32"		100.0	130.0	120.0	130.0	80.0	80.0
36"		100.0	130.0	120.0	130.0	80.0	80.0
40"		100.0	130.0	120.0	130.0	80.0	80.0
44"	100.0	130.0	120.0	130.0	80.0	80.0	
28"	114"	100.0	130.0	120.0	130.0	80.0	80.0
32"		100.0	130.0	120.0	130.0	80.0	80.0
36"		100.0	130.0	120.0	130.0	80.0	80.0
40"		100.0	130.0	120.0	130.0	80.0	80.0
44"	100.0	130.0	120.0	130.0	80.0	80.0	
44-1/4"	114-1/2"	100.0	130.0	120.0	130.0	80.0	80.0



GLAZING OPTIONS

NOTE:
 GLASS CAPACITIES ON THIS SHEET ARE
 BASED ON ASTM E1300-09 (3 SEC. GUSTS).

Engr: JAVAD AHMAD
 CIVIL
 FLA. PE # 70592
 C.A.N. 3538

SEP 13 2019

PRODUCT REVISED
 as complying with the Florida
 Building Code
 Acceptance No 14-0331-02
 Expiration Date May 20, 2019

By *Manuel Perez*
 Miami Dade Product Control

afC
AL-FAROOQ CORPORATION
 ENGINEERS & PRODUCT DEVELOPMENT
 1235 S.W. 87 AVE
 MIAMI, FLORIDA 33174
 TEL. (305) 264-8100 FAX. (305) 262-6978
 STORE 02-27DD

US Aluminum Series 'DHS-500' Storefront Sys. (L.M.I.)
US Aluminum Inc.
 Division Of C.R. Laurence Co., Inc.
 7500 N.W. 69TH AVE.
 MIAMI, FL 33166
 TEL. (305) 888-0077 FAX. (305) 884-3111

no	date	description
C	05.06.08	NO CHANGE THIS SHEET
D	11.15.09	LAM. INSUL. GLASS ADDED
E	06.15.10	REV. PER BCCO COMMENTS
F	09.19.11	ANCHOR & GLASS OPTIONS ADD.
G	02.11.14	INTERLAYER NAMES REV.

date: 03-29-02
 scale: 1/2" = 1"
 dr. by: HAMID
 chk. by:

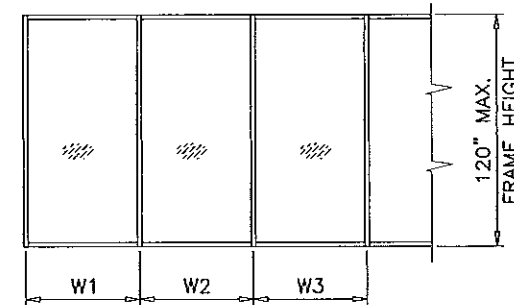
drawing no.
W02-27
 sheet 2 of 11

JAMB & MULLION LOAD CAPACITY - PSF
JAMB & MULLIONS WITHOUT INTERMEDIATE HORIZONTALS

NOMINAL DIMS.		JAMB 'J1'	MULLION 'M1'	MULLION 'M2'	MULLION 'M3'	MULLION 'M4'	MULLION 'M5'
WIDTH (W)	FRAME HEIGHT	EXT. (+) INT. (-)	EXT. (+) INT. (-)	EXT. (+) INT. (-)	EXT. (+) INT. (-)	EXT. (+) INT. (-)	EXT. (+) INT. (-)
32"	72"	80.0	100.0	130.0	130.0	130.0	130.0
36"		80.0	100.0	130.0	130.0	130.0	130.0
40"		80.0	100.0	130.0	130.0	130.0	130.0
44"		80.0	100.0	130.0	130.0	130.0	130.0
48"		80.0	100.0	130.0	130.0	130.0	130.0
52"		80.0	100.0	130.0	130.0	130.0	130.0
56"		80.0	100.0	130.0	130.0	130.0	130.0
60"	80.0	100.0	130.0	130.0	130.0	130.0	
32"	78"	80.0	100.0	130.0	130.0	130.0	130.0
36"		80.0	100.0	130.0	130.0	130.0	130.0
40"		80.0	100.0	130.0	130.0	130.0	130.0
44"		80.0	100.0	130.0	130.0	130.0	130.0
48"		80.0	100.0	130.0	130.0	130.0	130.0
52"		80.0	100.0	130.0	130.0	130.0	130.0
56"		80.0	100.0	130.0	130.0	130.0	130.0
60"	80.0	100.0	130.0	130.0	130.0	130.0	
32"	84"	80.0	100.0	130.0	130.0	130.0	130.0
36"		80.0	100.0	130.0	130.0	130.0	130.0
40"		80.0	100.0	130.0	130.0	130.0	130.0
44"		80.0	100.0	130.0	130.0	130.0	130.0
48"		80.0	96.5	130.0	130.0	130.0	130.0
52"		80.0	91.0	130.0	130.0	130.0	130.0
56"		80.0	86.5	130.0	130.0	130.0	130.0
60"	80.0	40.0	130.0	130.0	130.0	130.0	
32"	90"	80.0	100.0	130.0	130.0	130.0	130.0
36"		80.0	100.0	130.0	130.0	130.0	130.0
40"		80.0	95.4	130.0	130.0	130.0	130.0
44"		80.0	88.1	130.0	130.0	130.0	130.0
48"		80.0	82.1	130.0	130.0	130.0	130.0
52"		80.0	77.2	130.0	130.0	130.0	130.0
56"		80.0	40.0	130.0	130.0	130.0	130.0
60"	80.0	40.0	130.0	130.0	130.0	130.0	
32"	96"	80.0	100.0	130.0	130.0	130.0	130.0
36"		80.0	90.7	130.0	130.0	130.0	130.0
40"		80.0	82.5	130.0	130.0	130.0	130.0
44"		80.0	76.0	130.0	130.0	130.0	130.0
48"		80.0	70.7	130.0	130.0	130.0	130.0
52"		80.0	40.0	125.1	130.0	130.0	130.0
56"		80.0	40.0	118.3	130.0	130.0	130.0
60"	80.0	40.0	112.5	129.5	130.0	130.0	
32"	98"	80.0	96.5				
36"		80.0	86.6				
40"		80.0	78.8				
44"		80.0	72.5				
48"		80.0	67.4				
56"		80.0	-				

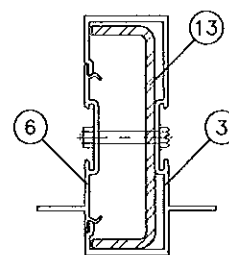
JAMB & MULLION LOAD CAPACITY - PSF
JAMB & MULLIONS WITHOUT INTERMEDIATE HORIZONTALS

NOMINAL DIMS.		JAMB 'J1'	MULLION 'M1'	MULLION 'M2'	MULLION 'M3'	MULLION 'M4'	MULLION 'M5'
WIDTH (W)	FRAME HEIGHT	EXT. (+) INT. (-)	EXT. (+) INT. (-)	EXT. (+) INT. (-)	EXT. (+) INT. (-)	EXT. (+) INT. (-)	EXT. (+) INT. (-)
32"	102"	80.0	40.0	130.0	130.0	130.0	130.0
36"		80.0	40.0	130.0	130.0	130.0	130.0
40"		80.0	40.0	130.0	130.0	130.0	130.0
44"		80.0	40.0	126.1	130.0	130.0	130.0
48"		80.0	40.0	117.0	130.0	130.0	130.0
52"		80.0	40.0	109.5	126.1	130.0	130.0
56"		80.0	40.0	103.2	118.8	130.0	130.0
32"	108"	80.0	40.0	130.0	130.0	130.0	130.0
36"		80.0	40.0	130.0	130.0	130.0	130.0
40"		80.0	40.0	121.6	130.0	130.0	130.0
44"		80.0	40.0	111.7	128.5	130.0	130.0
48"		80.0	40.0	103.5	119.1	130.0	130.0
52"		80.0	40.0	96.7	111.3	122.3	130.0
56"		80.0	40.0	96.7	111.3	122.3	130.0
32"	114"	80.0	40.0	130.0	130.0	130.0	130.0
36"		80.0	40.0	119.8	130.0	130.0	130.0
40"		80.0	40.0	108.7	125.1	130.0	130.0
44"		80.0	40.0	99.6	114.7	126.0	130.0
48"		80.0	40.0	92.2	106.2	116.7	130.0
52"		80.0	40.0	92.2	106.2	116.7	130.0
56"		80.0	40.0	92.2	106.2	116.7	130.0
32"	120"	80.0	40.0	128.2	130.0	130.0	130.0
36"		80.0	40.0	107.8	124.1	130.0	130.0
40"		80.0	40.0	97.7	112.4	123.6	130.0
44"		78.1	40.0	89.5	103.0	113.2	126.7
48"		72.4	37.6	82.7	95.3	104.7	117.1
52"		72.4	37.6	82.7	95.3	104.7	117.1
56"		72.4	37.6	82.7	95.3	104.7	117.1



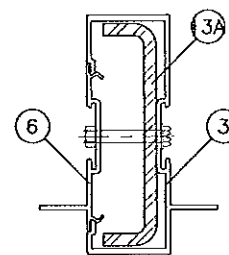
WIDTH (W) = W1
AT FRAME JAMB

WIDTH (W) = $\frac{W2 + W3}{2}$
AT FRAME MULLION



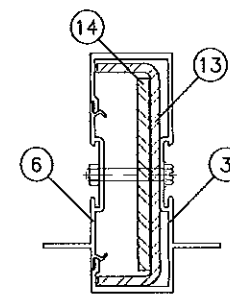
MULLION 'M2'

	Ix IN ⁴	Sx IN ³
ALUMINUM	4.7649	1.8627
STEEL	3.397	1.469
TOTAL	14.615	
Ix ALUM + Ix STL X 2.9	14.615	



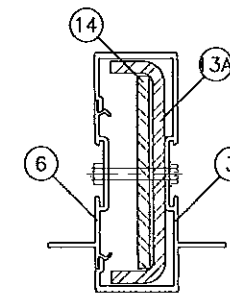
MULLION 'M3'

	Ix IN ⁴	Sx IN ³
ALUMINUM	4.7649	1.8627
STEEL	4.157	1.798
TOTAL	16.8202	
Ix ALUM + Ix STL X 2.9	16.8202	



MULLION 'M4'

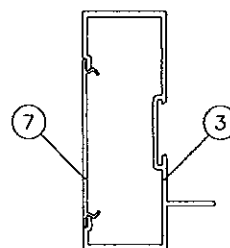
	Ix IN ⁴	Sx IN ³
ALUMINUM	4.7649	1.8627
STEEL	4.730	2.046
TOTAL	18.482	
Ix ALUM + Ix STL X 2.9	18.482	



MULLION 'M5'

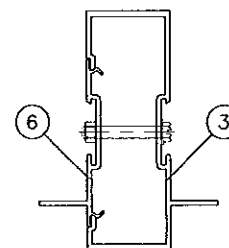
	Ix IN ⁴	Sx IN ³
ALUMINUM	4.7649	1.8627
STEEL	5.490	2.374
TOTAL	20.6869	
Ix ALUM + Ix STL X 2.9	20.6869	

STEEL REINFORCING LENGTHS = FRAME HEIGHTS



JAMB 'J1'

	Ix IN ⁴	Sx IN ³
ALUMINUM	4.5896	1.7941



MULLION 'M1'

	Ix IN ⁴	Sx IN ³
ALUMINUM	4.7649	1.8627

Engr: JAVAD AHMAD
CIVIL
FLA. PE # 70592
C.A.N. 3538

PRODUCT REVISED
as complying with the Florida
Building Code
Acceptance No _____
Expiration Date _____

By _____
Miami Dade Product Control

af c
AL-FAROOQ CORPORATION
ENGINEERS & PRODUCT DEVELOPMENT
1235 S.W. 87 AVE
MIAMI, FLORIDA 33174
TEL. (305) 264-8100 FAX. (305) 262-6978
STORE \02-27DD

US Aluminum Series 'DHS-500' Storefront Sys. (L.M.I.)
US Aluminum Inc.
Division Of C.R. Laurence Co., Inc.
7500 N.W. 69TH AVE.
MIAMI, FL 33166
TEL. (305) 888-0077 FAX. (305) 884-3111

no.	date	description	by
C	08.06.08	MULLION CHART REV.	
D	11.16.09	CHART REV.	
E	06.15.10	REV. PER BCCO COMMENTS	
F	09.19.11	ANCHOR & GLASS OPTIONS ADD.	
G	02.11.14	NAME UPDATED	

date: 03-29-02
scale: 1/2" = 1"
dr. by: HAMID
chk. by:

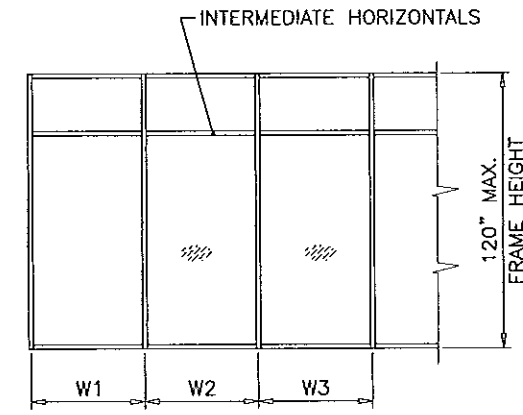
drawing no.
W02-27
sheet 3 of 11

JAMB & MULLION LOAD CAPACITY - PSF
JAMB & MULLIONS WITH INTERMEDIATE HORIZONTALS

NOMINAL DIMS.		JAMB 'J1'	MULLION 'M1'	MULLION 'M2'	MULLION 'M3'	MULLION 'M4'	MULLION 'M5'
WIDTH (W)	FRAME HEIGHT	EXT. (+) INT. (-)	EXT. (+) INT. (-)	EXT. (+) INT. (-)	EXT. (+) INT. (-)	EXT. (+) INT. (-)	EXT. (+) INT. (-)
32"	72"	80.0	100.0	130.0	130.0	130.0	130.0
36"		80.0	100.0	130.0	130.0	130.0	130.0
40"		80.0	100.0	130.0	130.0	130.0	130.0
44"		80.0	100.0	130.0	130.0	130.0	130.0
48"		80.0	100.0	130.0	130.0	130.0	130.0
52"		80.0	100.0	130.0	130.0	130.0	130.0
56"		80.0	100.0	130.0	130.0	130.0	130.0
60"	80.0	98.9	130.0	130.0	130.0	130.0	
32"	78"	80.0	100.0	130.0	130.0	130.0	130.0
36"		80.0	100.0	130.0	130.0	130.0	130.0
40"		80.0	100.0	130.0	130.0	130.0	130.0
44"		80.0	100.0	130.0	130.0	130.0	130.0
48"		80.0	100.0	130.0	130.0	130.0	130.0
52"		80.0	96.2	130.0	130.0	130.0	130.0
56"		80.0	89.4	130.0	130.0	130.0	130.0
60"	80.0	83.4	130.0	130.0	130.0	130.0	
32"	84"	80.0	100.0	130.0	130.0	130.0	130.0
36"		80.0	100.0	130.0	130.0	130.0	130.0
40"		80.0	100.0	130.0	130.0	130.0	130.0
44"		80.0	97.1	130.0	130.0	130.0	130.0
48"		80.0	89.0	130.0	130.0	130.0	130.0
52"		80.0	82.2	130.0	130.0	130.0	130.0
56"		80.0	76.3	130.0	130.0	130.0	130.0
60"	80.0	40.0	128.1	130.0	130.0	130.0	
32"	90"	80.0	100.0	130.0	130.0	130.0	130.0
36"		80.0	100.0	130.0	130.0	130.0	130.0
40"		80.0	92.2	130.0	130.0	130.0	130.0
44"		80.0	83.8	130.0	130.0	130.0	130.0
48"		80.0	76.8	130.0	130.0	130.0	130.0
52"		80.0	70.9	128.8	130.0	130.0	130.0
56"		80.0	40.0	119.6	130.0	130.0	130.0
60"	80.0	40.0	111.6	128.4	130.0	130.0	
32"	96"	80.0	100.0	130.0	130.0	130.0	130.0
36"		80.0	89.2	130.0	130.0	130.0	130.0
40"		80.0	80.3	130.0	130.0	130.0	130.0
44"		80.0	73.0	130.0	130.0	130.0	130.0
48"		80.0	66.9	122.6	130.0	130.0	130.0
52"		80.0	40.0	113.2	130.0	130.0	130.0
56"		80.0	40.0	105.1	121.0	130.0	130.0
60"	80.0	40.0	98.1	112.9	124.0	130.0	
32"	98"	80.0	96.1				
36"		80.0	85.4				
40"		80.0	76.9				
44"		80.0	69.9				
48"		80.0	64.0				
56"		80.0	-				

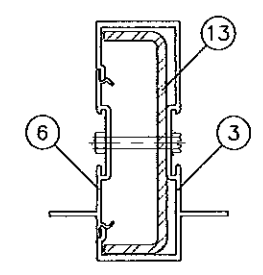
JAMB & MULLION LOAD CAPACITY - PSF
JAMB & MULLIONS WITH INTERMEDIATE HORIZONTALS

NOMINAL DIMS.		JAMB 'J1'	MULLION 'M1'	MULLION 'M2'	MULLION 'M3'	MULLION 'M4'	MULLION 'M5'
WIDTH (W)	FRAME HEIGHT	EXT. (+) INT. (-)	EXT. (+) INT. (-)	EXT. (+) INT. (-)	EXT. (+) INT. (-)	EXT. (+) INT. (-)	EXT. (+) INT. (-)
32"	102"	80.0	40.0	130.0	130.0	130.0	130.0
36"		80.0	40.0	130.0	130.0	130.0	130.0
40"		80.0	40.0	130.0	130.0	130.0	130.0
44"		80.0	40.0	118.5	130.0	130.0	130.0
48"		80.0	40.0	108.6	125.0	130.0	130.0
52"		80.0	40.0	100.2	115.4	126.8	130.0
56"		80.0	40.0	93.1	107.1	117.7	130.0
32"	108"	80.0	40.0	130.0	130.0	130.0	130.0
36"		80.0	40.0	129.1	130.0	130.0	130.0
40"		80.0	40.0	116.2	130.0	130.0	130.0
44"		80.0	40.0	105.7	121.6	130.0	130.0
48"		80.0	40.0	96.9	111.5	122.5	130.0
52"		80.0	40.0	89.4	102.9	113.1	126.5
60"		80.0	40.0	83.4	130.0	130.0	130.0
32"	114"	80.0	40.0	130.0	130.0	130.0	130.0
36"		80.0	40.0	115.9	130.0	130.0	130.0
40"		80.0	40.0	104.3	120.1	130.0	130.0
44"		80.0	40.0	94.8	109.2	119.9	130.0
48"		79.3	40.0	86.9	100.1	109.9	123.0
52"		80.0	40.0	125.5	130.0	130.0	130.0
60"		80.0	40.0	104.6	120.4	130.0	130.0
32"	120"	80.0	40.0	94.1	108.4	119.1	130.0
36"		80.0	40.0	85.6	98.5	108.2	121.1
40"		74.2	38.5	85.6	98.5	108.2	121.1
44"		68.0	35.3	78.5	90.3	99.2	111.0
48"							



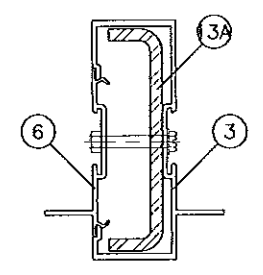
WIDTH (W) = W1
AT FRAME JAMB

WIDTH (W) = $\frac{W2 + W3}{2}$
AT FRAME MULLION



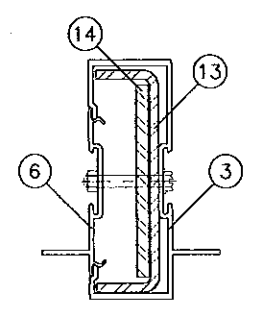
MULLION 'M2'

	Ix IN^4	Sx IN^3
ALUMINUM	4.7649	1.8627
STEEL	3.397	1.469
TOTAL		
Ix ALUM + Ix STL X 2.9	14.615	



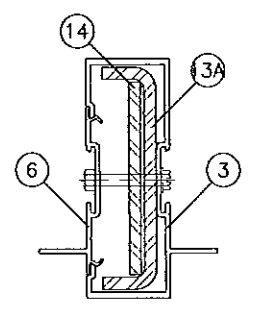
MULLION 'M3'

	Ix IN^4	Sx IN^3
ALUMINUM	4.7649	1.8627
STEEL	4.157	1.798
TOTAL		
Ix ALUM + Ix STL X 2.9	16.8202	



MULLION 'M4'

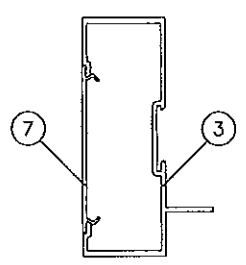
	Ix IN^4	Sx IN^3
ALUMINUM	4.7649	1.8627
STEEL	4.730	2.046
TOTAL		
Ix ALUM + Ix STL X 2.9	18.482	



MULLION 'M5'

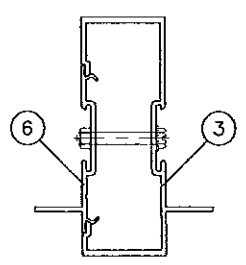
	Ix IN^4	Sx IN^3
ALUMINUM	4.7649	1.8627
STEEL	5.490	2.374
TOTAL		
Ix ALUM + Ix STL X 2.9	20.6869	

STEEL REINFORCING LENGTHS = FRAME HEIGHTS



JAMB 'J1'

	Ix IN^4	Sx IN^3
	4.5896	1.7941



MULLION 'M1'

	Ix IN^4	Sx IN^3
	4.7649	1.8627

Engr: JAVAD AHMAD
CIVIL
FLA. PE # 70592
C.A.N. 3538

PRODUCT REVISED
as complying with the Florida
Building Code
Acceptance No. 14-0331.02
Expiration Date May 20, 2019
By *Manuel P...*
Miami Dade Product Control

afC
AL-FAROOQ CORPORATION
ENGINEERS & PRODUCT DEVELOPMENT
1235 S.W. 87 AVE
MIAMI, FLORIDA 33174
TEL (305) 264-8100 FAX (305) 262-6978
STORE 02-27DD

US Aluminum Series 'DHS-500' Storefront Sys. (L.M.I.)
US Aluminum Inc.
Division Of C.R. Laurence Co., Inc.
7500 N.W. 69TH AVE.
MIAMI, FL 33166
TEL (305) 888-0077 FAX (305) 884-3111

Revisions:

no	date	description	CHART REV.
D	11.16.09		
E	06.15.10	REV. PER BCCO COMMENTS	
F	09.19.11	ANCHOR & GLASS OPTIONS ADD.	
G	02.11.14	NAME UPDATED	

date: 03-29-02
scale: 1/2" = 1"
dr. by: HAMID
chk. by:

drawing no.
W02-27
sheet 3.1 of 11

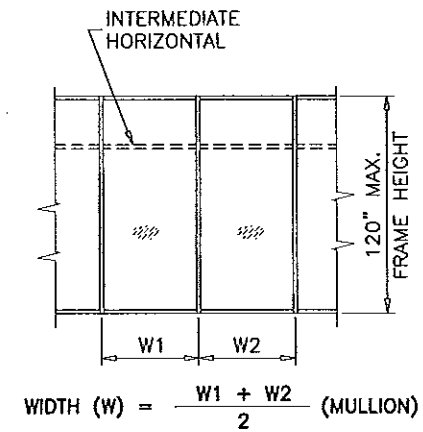
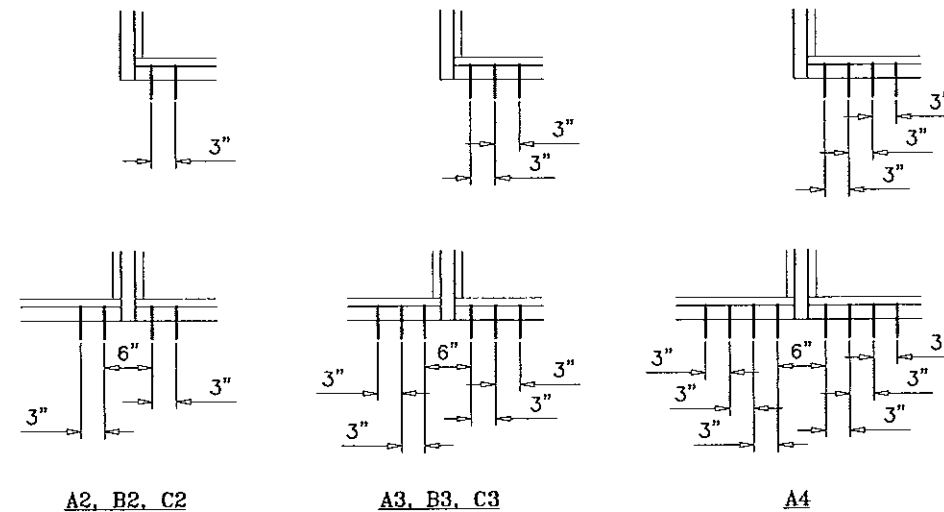
ANCHOR LOAD CAPACITY - PSF EXT.(+) & INT.(-)								
NOMINAL DIMS.		ANCHORS TYPE 'A'			ANCHORS TYPE 'B'		ANCHORS TYPE 'C'	
WIDTH (W)	FRAME HEIGHT	A2	A3	A4	B2	B3	C2	C3
32"	72"	130.0	130.0	130.0	130.0	130.0	130.0	130.0
36"		127.2	130.0	130.0	130.0	130.0	130.0	130.0
40"		114.5	130.0	130.0	130.0	130.0	130.0	130.0
44"		104.1	130.0	130.0	130.0	130.0	130.0	130.0
45"		101.8	130.0	130.0	130.0	130.0	130.0	130.0
48"		95.4	130.0	130.0	130.0	130.0	130.0	130.0
52"		88.1	123.3	130.0	130.0	130.0	130.0	130.0
56"		81.8	114.5	130.0	130.0	130.0	130.0	130.0
60"	76.3	106.9	130.0	130.0	130.0	130.0	130.0	
32"	78"	130.0	130.0	130.0	130.0	130.0	130.0	130.0
36"		117.4	130.0	130.0	130.0	130.0	130.0	130.0
40"		105.7	130.0	130.0	130.0	130.0	130.0	130.0
44"		96.1	130.0	130.0	130.0	130.0	130.0	130.0
45"		93.9	130.0	130.0	130.0	130.0	130.0	130.0
48"		88.1	123.3	130.0	130.0	130.0	130.0	130.0
52"		81.3	113.8	130.0	130.0	130.0	130.0	130.0
56"		75.5	105.7	130.0	130.0	130.0	130.0	130.0
60"	70.5	98.6	126.8	121.8	130.0	130.0	130.0	
32"	84"	122.7	130.0	130.0	130.0	130.0	130.0	130.0
36"		109.0	130.0	130.0	130.0	130.0	130.0	130.0
40"		98.1	130.0	130.0	130.0	130.0	130.0	130.0
44"		89.2	124.9	130.0	130.0	130.0	130.0	130.0
45"		87.2	122.1	130.0	130.0	130.0	130.0	130.0
48"		81.8	114.5	130.0	130.0	130.0	130.0	130.0
52"		75.5	105.7	130.0	130.0	130.0	130.0	130.0
56"		70.1	98.1	126.2	121.2	130.0	130.0	130.0
60"	65.4	91.6	117.8	113.1	130.0	130.0	130.0	
32"	90"	114.5	130.0	130.0	130.0	130.0	130.0	130.0
36"		101.8	130.0	130.0	130.0	130.0	130.0	130.0
40"		91.6	128.2	130.0	130.0	130.0	130.0	130.0
44"		83.3	116.6	130.0	130.0	130.0	130.0	130.0
45"		81.4	114.0	130.0	130.0	130.0	130.0	130.0
48"		76.3	106.9	130.0	130.0	130.0	130.0	130.0
52"		70.5	98.6	126.8	121.8	130.0	130.0	130.0
56"		65.4	91.6	117.8	113.1	130.0	130.0	130.0
60"	61.1	85.5	109.9	105.5	130.0	127.7	130.0	
32"	96"	107.3	130.0	130.0	130.0	130.0	130.0	130.0
36"		95.4	130.0	130.0	130.0	130.0	130.0	130.0
40"		85.9	120.2	130.0	130.0	130.0	130.0	130.0
44"		78.1	109.3	130.0	130.0	130.0	130.0	130.0
45"		76.3	106.9	130.0	130.0	130.0	130.0	130.0
48"		71.6	100.2	128.8	123.7	130.0	130.0	130.0
52"		66.1	92.5	118.9	114.2	130.0	130.0	130.0
56"		61.3	85.9	110.4	106.0	130.0	128.3	130.0
60"	57.3	80.2	103.1	99.0	130.0	119.8	130.0	
32"	102"	101.0	130.0	130.0	130.0	130.0	130.0	130.0
36"		89.8	125.7	130.0	130.0	130.0	130.0	130.0
40"		80.8	113.2	130.0	130.0	130.0	130.0	130.0
44"		73.5	102.9	130.0	127.0	130.0	130.0	130.0
45"		71.8	100.6	129.3	124.2	130.0	130.0	130.0
48"		67.4	94.3	121.2	116.4	130.0	130.0	130.0
52"		62.2	87.0	111.9	107.5	130.0	130.0	130.0
56"		57.7	80.8	103.9	99.8	130.0	120.8	130.0

ANCHOR LOAD CAPACITY - PSF EXT.(+) & INT.(-)								
NOMINAL DIMS.		ANCHORS TYPE 'A'			ANCHORS TYPE 'B'		ANCHORS TYPE 'C'	
WIDTH (W)	FRAME HEIGHT	A2	A3	A4	B2	B3	C2	C3
32"	108"	95.4	130.0	130.0	130.0	130.0	130.0	130.0
36"		84.8	118.7	130.0	130.0	130.0	130.0	130.0
40"		76.3	106.9	130.0	130.0	130.0	130.0	130.0
44"		69.4	97.2	124.9	119.9	130.0	130.0	130.0
45"		67.9	95.0	122.1	117.3	130.0	130.0	130.0
48"		63.6	89.1	114.5	109.9	130.0	130.0	130.0
52"		58.7	82.2	105.7	101.5	130.0	122.8	130.0
60"		57.3	80.2	103.1	99.0	130.0	119.8	130.0
32"	114"	90.4	126.6	130.0	130.0	130.0	130.0	130.0
36"		80.4	112.5	130.0	130.0	130.0	130.0	130.0
40"		72.3	101.2	130.0	125.0	130.0	130.0	130.0
44"		65.7	92.0	118.3	113.6	130.0	130.0	130.0
45"		64.3	90.0	115.7	111.1	130.0	130.0	130.0
48"		60.3	84.4	108.5	104.2	130.0	126.1	130.0
52"		57.3	80.2	103.1	99.0	130.0	119.8	130.0
60"		57.3	80.2	103.1	99.0	130.0	119.8	130.0
32"	120"	85.9	120.2	130.0	130.0	130.0	130.0	130.0
36"		76.3	106.9	130.0	130.0	130.0	130.0	130.0
40"		68.7	96.2	123.7	118.7	130.0	130.0	130.0
44"		62.5	87.4	112.4	107.9	130.0	130.0	130.0
45"		61.1	85.5	109.9	105.5	130.0	127.7	130.0
48"		57.3	80.2	103.1	99.0	130.0	119.8	130.0
52"		57.3	80.2	103.1	99.0	130.0	119.8	130.0
60"		57.3	80.2	103.1	99.0	130.0	119.8	130.0

ANCHORS TYPES: SEE SHEET 5 FOR DESCRIPTION

- A2 = (2) ANCHORS TYPE 'A' AT EACH SIDE OF JAMB AND MULLION
- B2 = (2) ANCHORS TYPE 'B' AT EACH SIDE OF JAMB AND MULLION
- C2 = (2) ANCHORS TYPE 'C' AT EACH SIDE OF JAMB AND MULLION
- A3 = (3) ANCHORS TYPE 'A' AT EACH SIDE OF JAMB AND MULLION
- B3 = (3) ANCHORS TYPE 'B' AT EACH SIDE OF JAMB AND MULLION
- C3 = (3) ANCHORS TYPE 'C' AT EACH SIDE OF JAMB AND MULLION
- A4 = (4) ANCHORS TYPE 'A' AT EACH SIDE OF JAMB AND MULLION

ALL OTHER ANCHORS TO BE SPACED AS PER ELEVATION.



$$\text{WIDTH (W)} = \frac{W1 + W2}{2} \text{ (MULLION)}$$

Engr: JAVAD AHMAD
CML
FLA. PE # 70592
C.A.N: 3538

13/2/2019

PRODUCT REVISED
as complying with the Florida
Building Code
Acceptance No 14-0331-02
Expiration Date May 20, 2019

By *Manuel Perez*
Miami Dade Product Control

AL-FAROOQ CORPORATION
ENGINEERS & PRODUCT DEVELOPMENT
1235 S.W. 87 AVE
MIAMI, FLORIDA 33174
TEL (305) 264-8100 FAX (305) 262-6978

US Aluminum Series 'DHS-500' Storefront Sys. (L.M.I.)
US Aluminum Inc.
Division Of C.R. Laurence Co., Inc.
7500 N.W. 69TH AVE.
MIAMI, FL 33166
TEL (305) 888-0077 FAX (305) 884-3111

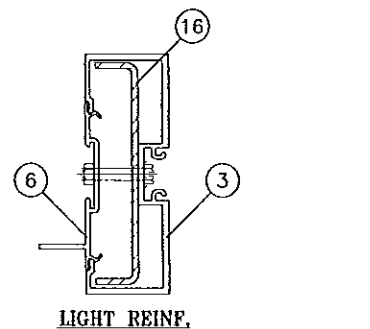
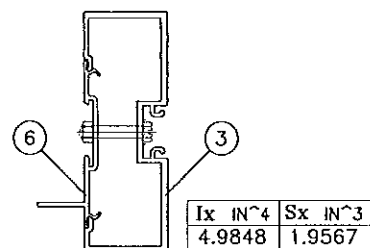
no	date	description
C	05.06.08	NO CHANGE THIS SHEET
D	11.16.09	NO CHANGE THIS SHEET
E	06.15.10	REV. PER BCCD COMMENTS
F	09.19.11	ANCHOR & GLASS OPTIONS ADD.
G	02.11.14	NAME UPDATED

date: 03-29-02
scale: 1/2" = 1"
dr. by: HAMID
chk. by:

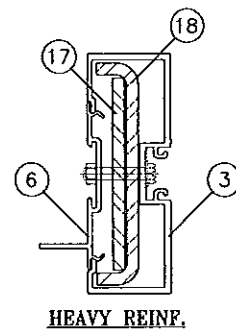
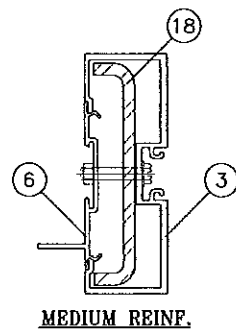
drawing no.
W02-27
sheet 4 of 11

DOOR MULLION LOAD CAPACITY-PSF					
WIDTH (W) INCHES	FRAME HEIGHT INCHES	WITHOUT REINF.	LIGHT REINF.	MEDIUM REINF.	HEAVY REINF.
		EXT. (+) INT. (-)	EXT. (+) INT. (-)	EXT. (+) INT. (-)	EXT. (+) INT. (-)
30	82	75.0	100.0	100.0	100.0
33		75.0	100.0	100.0	100.0
36		75.0	100.0	100.0	100.0
39		75.0	100.0	100.0	100.0
42		75.0	100.0	100.0	100.0
45		75.0	100.0	100.0	100.0
48		75.0	100.0	100.0	100.0
51		75.0	100.0	100.0	100.0
54		75.0	100.0	100.0	100.0
57		75.0	100.0	100.0	100.0
60		74.5	95.9	100.0	100.0
30		86	75.0	100.0	100.0
33	75.0		100.0	100.0	100.0
36	75.0		100.0	100.0	100.0
39	75.0		100.0	100.0	100.0
42	75.0		100.0	100.0	100.0
45	75.0		100.0	100.0	100.0
48	75.0		100.0	100.0	100.0
51	75.0		100.0	100.0	100.0
54	74.7		96.9	100.0	100.0
57	70.8		91.8	100.0	100.0
60	-		87.2	100.0	100.0
30	92		75.0	100.0	100.0
33		75.0	100.0	100.0	100.0
36		75.0	100.0	100.0	100.0
39		75.0	100.0	100.0	100.0
42		75.0	100.0	100.0	100.0
45		75.0	100.0	100.0	100.0
48		72.8	95.3	100.0	100.0
51		68.5	89.7	100.0	100.0
54		64.7	84.7	100.0	100.0
57		-	80.2	100.0	100.0
60		-	76.5	100.0	100.0
30		98	75.0	100.0	100.0
33	75.0		100.0	100.0	100.0
36	75.0		100.0	100.0	100.0
39	75.0		100.0	100.0	100.0
42	72.7		95.9	100.0	100.0
45	67.8		89.5	100.0	100.0
48	63.6		83.9	100.0	100.0
51	59.8		79.0	100.0	100.0
54	-		74.6	100.0	100.0
57	-		70.7	96.7	100.0
60	-		67.2	91.9	100.0
30	104		75.0	100.0	100.0
33		75.0	100.0	100.0	100.0
36		74.6	99.4	100.0	100.0
39		68.9	91.7	100.0	100.0
42		64.0	85.2	100.0	100.0
45		59.7	79.5	100.0	100.0
48		56.0	74.5	100.0	100.0
51		-	70.2	96.0	100.0
54		-	66.3	90.7	100.0
57		-	62.8	85.9	100.0
60		-	59.6	81.6	100.0

DOOR MULLION LOAD CAPACITY-PSF					
WIDTH (W) INCHES	FRAME HEIGHT INCHES	WITHOUT REINF.	LIGHT REINF.	MEDIUM REINF.	HEAVY REINF.
		EXT. (+) INT. (-)	EXT. (+) INT. (-)	EXT. (+) INT. (-)	EXT. (+) INT. (-)
30	110	75.0	100.0	100.0	100.0
33		69.7	96.9	100.0	100.0
36		63.9	88.8	100.0	100.0
39		59.0	82.0	100.0	100.0
42		54.8	76.1	100.0	100.0
45		51.1	71.1	97.2	100.0
48		-	66.6	91.2	100.0
51		-	62.7	85.8	100.0
54		-	59.2	81.0	100.0
57		-	56.1	76.8	97.6
60		-	53.3	72.9	92.7
30		116	-	95.9	100.0
33	-		87.1	100.0	100.0
36	-		79.9	100.0	100.0
39	-		73.7	100.0	100.0
42	-		68.5	93.7	100.0
45	-		63.9	87.4	100.0
48	-		59.9	82.0	100.0
51	-		56.4	77.2	98.1
54	-		53.3	72.9	92.6
57	-		50.5	69.0	87.7
60	-		47.9	65.6	83.4
30	120		-	89.6	100.0
33		-	81.4	100.0	100.0
36		-	74.7	100.0	100.0
39		-	68.9	94.3	100.0
42		-	64.0	87.6	100.0
45		-	59.7	81.7	100.0
48		-	56.0	76.6	97.4
51		-	52.7	72.1	91.6
54		-	49.8	68.1	86.6
57		-	47.1	64.5	82.0
60		-	44.8	61.3	77.9



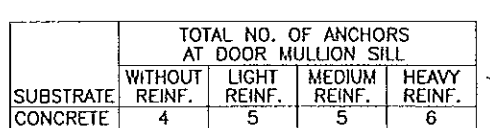
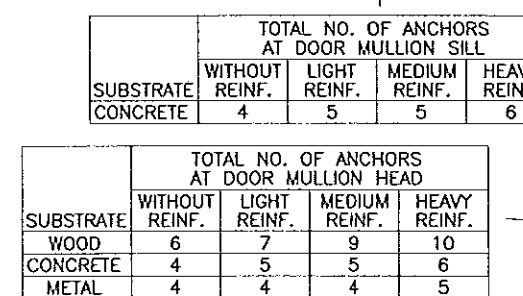
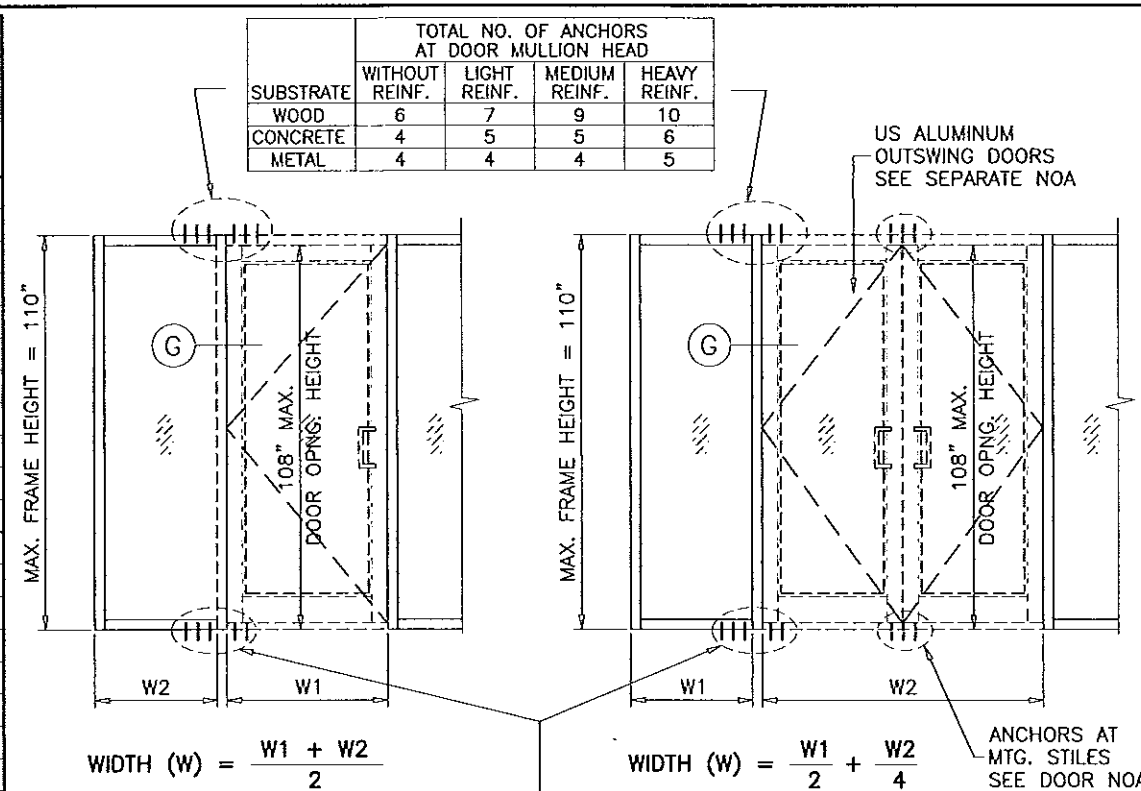
STEEL REINFORCING LENGTHS = FRAME HEIGHTS



ALUMINUM	$I_x \text{ IN}^4$	$S_x \text{ IN}^3$
STEEL	1.8775	.8119
TOTAL	$I_x \text{ ALUM} + I_x \text{ STL} \times 2.9$	10.4296

ALUMINUM	$I_x \text{ IN}^4$	$S_x \text{ IN}^3$
STEEL	3.2021	1.3847
TOTAL	$I_x \text{ ALUM} + I_x \text{ STL} \times 2.9$	14.2709

ALUMINUM	$I_x \text{ IN}^4$	$S_x \text{ IN}^3$
STEEL	4.5354	1.9614
TOTAL	$I_x \text{ ALUM} + I_x \text{ STL} \times 2.9$	18.1375



Engr: JAVAD AHMAD
CML
FLA. PE # 70592
C.A.N. 3538

PRODUCT REVISED
as complying with the Florida
Building Code
Acceptance No. 14-033L-02
Expiration Date May 10, 2019

By: *Mansoor Buz*
Miami Dade Product Control

AL-FAROOQ CORPORATION
ENGINEERS & PRODUCT DEVELOPMENT
1235 S.W. 87 AVE
MIAMI, FLORIDA 33174
TEL. (305) 264-8100 FAX. (305) 262-6978

US Aluminum Series 'DHS-500' Storefront Sys. (L.M.I.)
US Aluminum Inc.
Division Of C.R. Laurence Co., Inc.
7500 N.W. 69TH AVE.
MIAMI, FL 33166
TEL. (305) 888-0077 FAX. (305) 884-3111

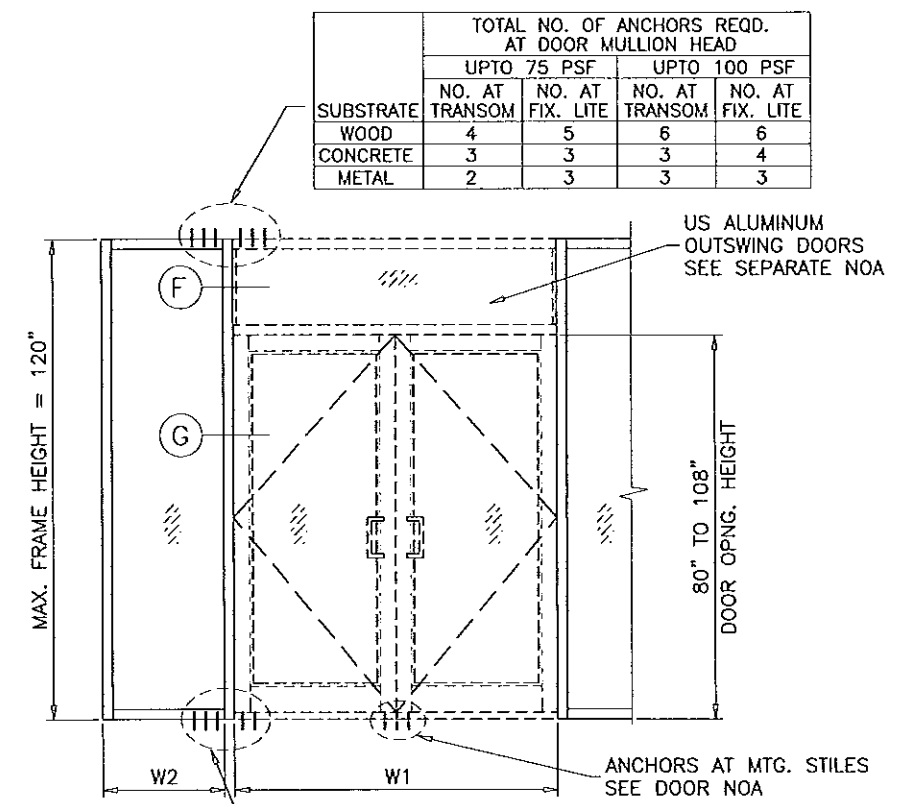
NO.	DATE	BY	DESCRIPTION
C	08.06.08		NO CHANGE THIS SHEET
D	11.16.09		NO CHANGE THIS SHEET
E	06.15.10		REV. PER BCCD COMMENTS
F	09.19.11		NO CHANGE THIS SHEET
G	02.11.14		NAME UPDATED

date: 03-29-02
scale: 1/2" = 1"
dr. by: HAMID
chk. by:

drawing no.
W02-27
sheet 5 of 11

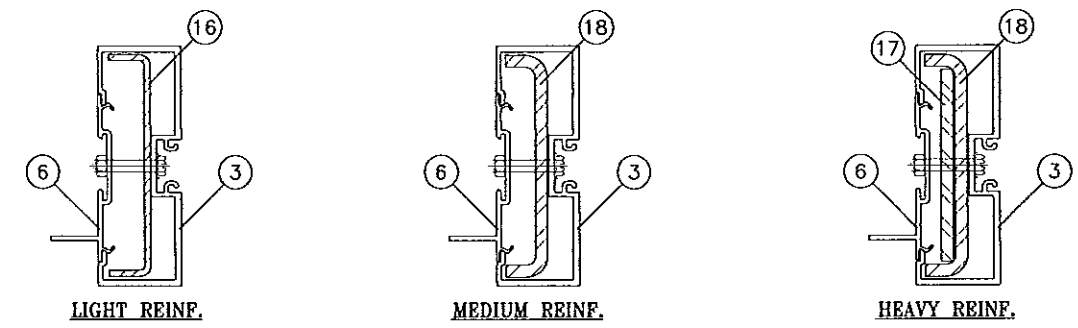
DOOR MULLION LOAD CAPACITY - PSF					
NOMINAL DIMS.			LIGHT REINF.	MEDIUM REINF.	HEAVY REINF.
FRAME HEIGHT INCHES	WIDTH (W1) INCHES	WIDTH (W2) INCHES	EXT. (+) INT. (-)	EXT. (+) INT. (-)	EXT. (+) INT. (-)
90	60	46-1/4	100.0	100.0	100.0
		52-1/4	100.0	100.0	100.0
		58-1/4	97.1	100.0	100.0
		64-1/4	91.5	100.0	100.0
	64	46-1/4	100.0	100.0	100.0
		52-1/4	100.0	100.0	100.0
		58-1/4	94.7	100.0	100.0
		64-1/4	89.4	100.0	100.0
	72	46-1/4	100.0	100.0	100.0
		52-1/4	95.7	100.0	100.0
		58-1/4	90.3	100.0	100.0
		64-1/4	85.4	100.0	100.0
84	46-1/4	94.3	100.0	100.0	
	52-1/4	89.1	100.0	100.0	
	58-1/4	84.4	100.0	100.0	
	64-1/4	80.1	100.0	100.0	
96	60	46-1/4	93.3	100.0	100.0
		52-1/4	87.5	100.0	100.0
		58-1/4	82.4	100.0	100.0
		64-1/4	77.8	100.0	100.0
	64	46-1/4	90.6	100.0	100.0
		52-1/4	85.1	100.0	100.0
		58-1/4	80.2	100.0	100.0
		64-1/4	75.9	100.0	100.0
	72	46-1/4	85.6	100.0	100.0
		52-1/4	80.7	100.0	100.0
		58-1/4	76.3	100.0	100.0
		64-1/4	72.4	99.0	100.0
84	46-1/4	79.1	100.0	100.0	
	52-1/4	74.8	100.0	100.0	
	58-1/4	71.1	97.2	100.0	
	64-1/4	67.6	92.6	100.0	
102	60	46-1/4	79.8	100.0	100.0
		52-1/4	75.0	100.0	100.0
		58-1/4	70.8	96.9	100.0
		64-1/4	67.0	91.6	100.0
	64	46-1/4	77.4	100.0	100.0
		52-1/4	72.9	99.7	100.0
		58-1/4	68.9	94.2	100.0
		64-1/4	65.3	89.3	100.0
	72	46-1/4	73.0	99.9	100.0
		52-1/4	68.9	94.3	100.0
		58-1/4	65.3	89.4	100.0
		64-1/4	62.1	85.0	100.0
84	46-1/4	67.2	91.9	100.0	
	52-1/4	63.8	87.3	100.0	
	58-1/4	60.7	83.0	100.0	
	64-1/4	57.9	79.2	100.0	

DOOR MULLION LOAD CAPACITY - PSF						
NOMINAL DIMS.			LIGHT REINF.	MEDIUM REINF.	HEAVY REINF.	
FRAME HEIGHT INCHES	WIDTH (W1) INCHES	WIDTH (W2) INCHES	EXT. (+) INT. (-)	EXT. (+) INT. (-)	EXT. (+) INT. (-)	
108	60	46-1/4	69.1	94.5	100.0	
		52-1/4	65.1	89.0	100.0	
		58-1/4	61.5	84.1	100.0	
		64-1/4	58.3	79.7	100.0	
	64	46-1/4	66.9	91.5	100.0	
		52-1/4	63.1	86.4	100.0	
		58-1/4	59.8	81.8	100.0	
		64-1/4	56.7	77.6	98.6	
	72	46-1/4	63.0	86.1	100.0	
		52-1/4	59.6	81.5	100.0	
		58-1/4	56.6	77.4	98.4	
		64-1/4	53.9	73.7	93.7	
84	46-1/4	57.8	79.1	100.0		
	52-1/4	55.0	75.2	95.6		
	58-1/4	52.4	71.7	91.2		
	64-1/4	49.7	68.1	86.5		
114	60	46-1/4	60.4	82.6	100.0	
		52-1/4	57.0	77.9	99.1	
		58-1/4	53.9	73.8	93.8	
		64-1/4	51.1	70.0	88.9	
	64	46-1/4	58.4	80.0	100.0	
		52-1/4	55.2	75.6	96.0	
		58-1/4	52.3	71.6	91.0	
		64-1/4	49.7	68.1	86.5	
	72	46-1/4	54.9	75.1	95.4	
		52-1/4	52.0	71.2	90.5	
		58-1/4	49.5	67.7	86.0	
		64-1/4	47.2	64.5	82.0	
84	46-1/4	50.3	68.8	87.4		
	52-1/4	47.9	65.5	83.3		
	60	46-1/4	53.2	72.8	92.6	
	52-1/4	50.3	68.8	87.4		
120	60	58-1/4	47.7	65.2	82.9	
		64-1/4	45.3	61.9	78.7	
		64	46-1/4	51.5	70.4	89.5
		52-1/4	48.7	66.6	84.7	
	64	58-1/4	46.2	63.3	80.4	
		64-1/4	44.0	60.2	76.5	
		72	46-1/4	48.2	66.0	83.9
		52-1/4	45.8	62.7	79.7	
	72	58-1/4	43.6	59.7	75.9	
		84	46-1/4	44.1	60.3	76.7



SUBSTRATE	TOTAL NO. OF ANCHORS REQD. AT DOOR MULLION HEAD			
	UPTO 75 PSF		UPTO 100 PSF	
	NO. AT TRANSOM	NO. AT FIX. LITE	NO. AT TRANSOM	NO. AT FIX. LITE
WOOD	4	5	6	6
CONCRETE	3	3	3	4
METAL	2	3	3	3

SUBSTRATE	TOTAL NO. OF ANCHORS REQD. AT DOOR MULLION SILL			
	UPTO 75 PSF		UPTO 100 PSF	
	NO. AT DOOR	NO. AT FIX. LITE	NO. AT DOOR	NO. AT FIX. LITE
CONCRETE	2	3	2	4



	Ix IN^4	Sx IN^3		Ix IN^4	Sx IN^3		Ix IN^4	Sx IN^3
ALUMINUM	4.9848	1.9567	ALUMINUM	4.9848	1.9567	ALUMINUM	4.9848	1.9567
STEEL	1.8775	.8119	STEEL	3.2021	1.3847	STEEL	4.5354	1.9614
TOTAL Ix ALUM + Ix STL X 2.9	10.4296		TOTAL Ix ALUM + Ix STL X 2.9	14.2709		TOTAL Ix ALUM + Ix STL X 2.9	18.1375	

Engr: JAVAD AHMAD
CIVIL
FLA. PE # 70592
C.A.N. 3538

FEB 13 2014

PRODUCT REVISED
as complying with the Florida
Building Code
Acceptance No. 14-0331.02
Expiration Date May 01, 2014

By: *Manuel Perez*
Miami Dade Product Control

afC
AL-FAROOQ CORPORATION
ENGINEERS & PRODUCT DEVELOPMENT
1235 S.W. 87 AVE
MIAMI, FLORIDA 33174
TEL. (305) 264-8100 FAX. (305) 262-6978

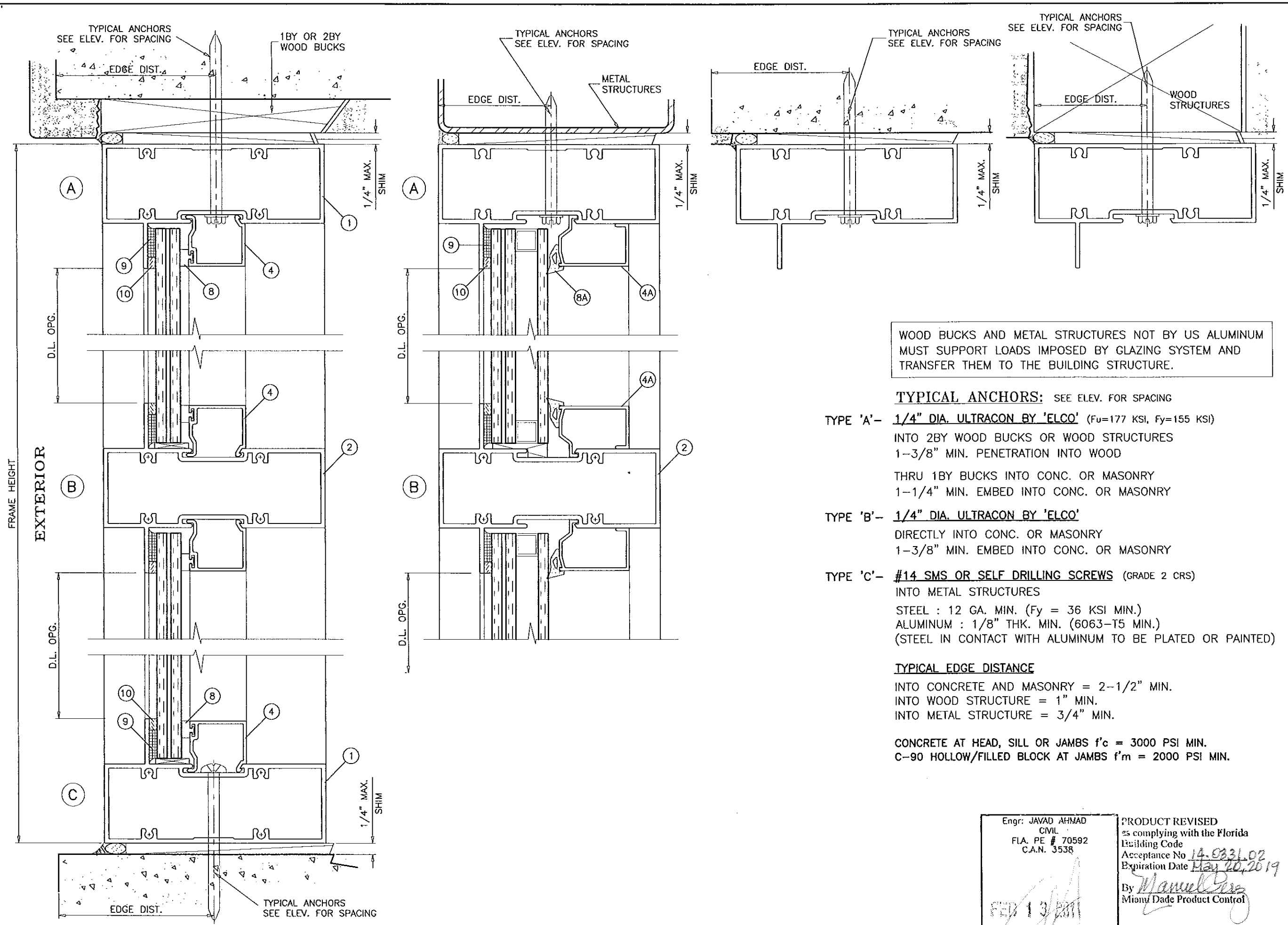
US Aluminum Series 'DHS-500' Storefront Sys. (L.M.I.)
US Aluminum Inc.
Division Of C.R. Laurence Co., Inc.
7500 N.W. 69TH AVE.
MIAMI, FL 33166
TEL. (305) 888-0077 FAX. (305) 884-3111

no	date	description
C	08.06.09	NO CHANGE THIS SHEET
D	11.16.09	NO CHANGE THIS SHEET
E	06.15.10	REV. PER BCCO COMMENTS
F	08.19.11	NO CHANGE THIS SHEET
G	02.11.14	NAME UPDATED

date: 03-29-02
scale: 1/2" = 1"
dr. by: HAMID
chk. by:

drawing no.
W02-27
sheet 6 of 11

STORE/02-27DD



WOOD BUCKS AND METAL STRUCTURES NOT BY US ALUMINUM MUST SUPPORT LOADS IMPOSED BY GLAZING SYSTEM AND TRANSFER THEM TO THE BUILDING STRUCTURE.

- TYPICAL ANCHORS:** SEE ELEV. FOR SPACING
- TYPE 'A'** - 1/4" DIA. ULTRACON BY 'ELCO' (F_u=177 KSI, F_y=155 KSI)
 INTO 2BY WOOD BUCKS OR WOOD STRUCTURES
 1-3/8" MIN. PENETRATION INTO WOOD
 THRU 1BY BUCKS INTO CONC. OR MASONRY
 1-1/4" MIN. EMBED INTO CONC. OR MASONRY
- TYPE 'B'** - 1/4" DIA. ULTRACON BY 'ELCO'
 DIRECTLY INTO CONC. OR MASONRY
 1-3/8" MIN. EMBED INTO CONC. OR MASONRY
- TYPE 'C'** - #14 SMS OR SELF DRILLING SCREWS (GRADE 2 CRS)
 INTO METAL STRUCTURES
 STEEL : 12 GA. MIN. (F_y = 36 KSI MIN.)
 ALUMINUM : 1/8" THK. MIN. (6063-T5 MIN.)
 (STEEL IN CONTACT WITH ALUMINUM TO BE PLATED OR PAINTED)

TYPICAL EDGE DISTANCE
 INTO CONCRETE AND MASONRY = 2-1/2" MIN.
 INTO WOOD STRUCTURE = 1" MIN.
 INTO METAL STRUCTURE = 3/4" MIN.

CONCRETE AT HEAD, SILL OR JAMBS f'_c = 3000 PSI MIN.
 C-90 HOLLOW/FILLED BLOCK AT JAMBS f'_m = 2000 PSI MIN.

Engr: JAVAD AHMAD
 CIVIL
 FLA. PE # 70592
 C.A.N. 3538

FEB 13 2011

PRODUCT REVISED
 25 complying with the Florida
 Building Code
 Acceptance No. 14-0331-02
 Expiration Date May 20, 2019

By *Manuel Perez*
 Miami Dade Product Control

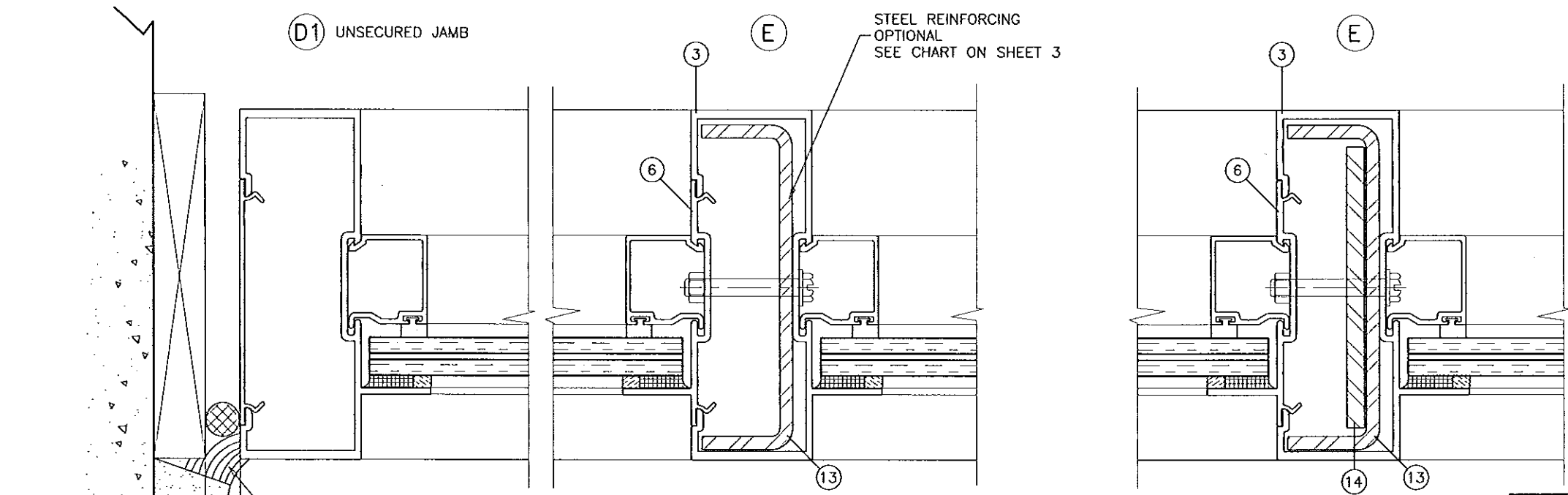
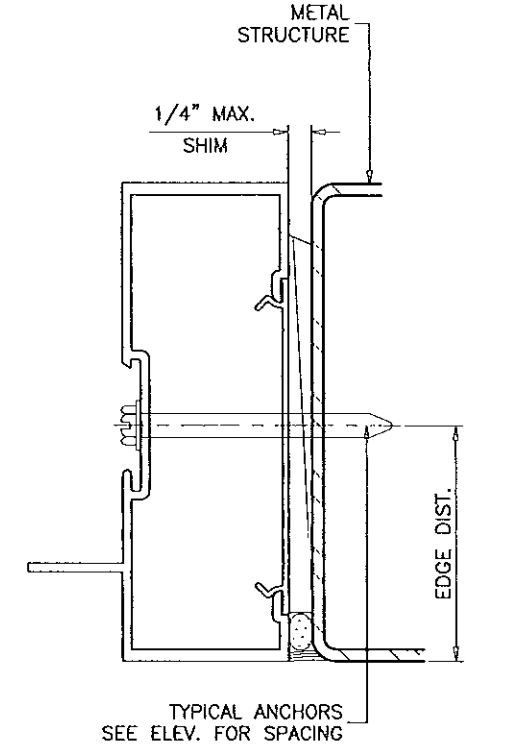
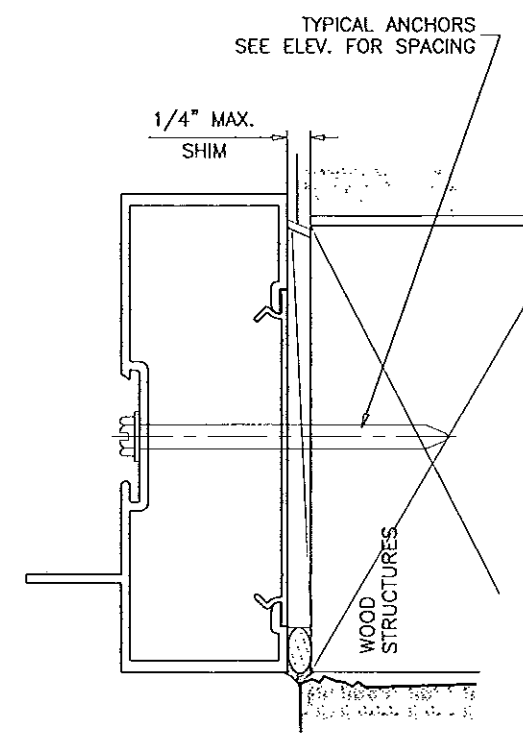
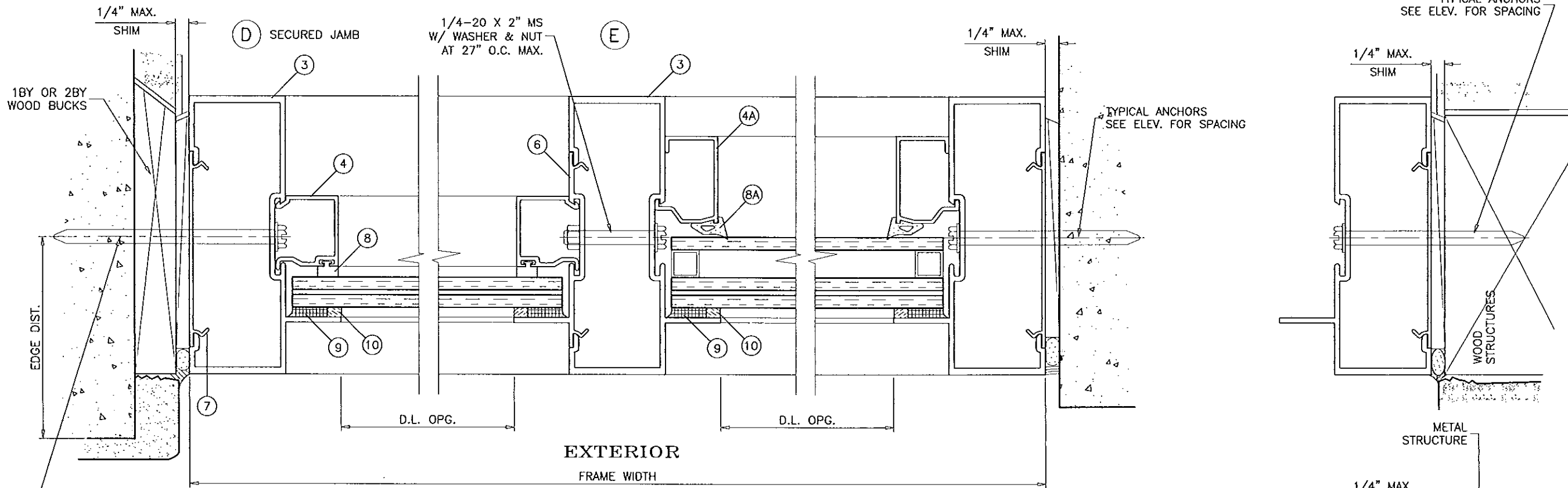
af c
AL-FAROOQ CORPORATION
 ENGINEERS & PRODUCT DEVELOPMENT
 1235 S.W. 87 AVE
 MIAMI, FLORIDA 33174
 TEL (305) 264-8100 FAX (305) 262-6978
 STORE 02-27DD

US Aluminum Series 'DHS-500' Storefront Sys. (L.M.I.)
 US Aluminum Inc.
 Division Of C.R. Laurence Co., Inc.
 7500 N.W. 69TH AVE.
 MIAMI, FL 33166
 TEL (305) 888-0077 FAX (305) 884-3111

no	date	by	description
C	05.06.08		NO CHANGE THIS SHEET
D	11.16.09		LAM. INSUL. GLASS ADDED
E	06.15.10		REV. PER BCCO COMMENTS
F	09.19.11		NO CHANGE THIS SHEET
G	02.11.14		NAME UPDATED

date: 03-29-02
 scale: 1/2" = 1"
 dr. by: HAVID
 chk. by:

drawing no.
W02-27
 sheet 7 of 11



SILICONE
DOW CORNING 790
DEPTH = 3/8" MIN.

MAX. FRAME HEIGHT	GAP	
	MIN.	MAX.
72"	1/4"	3/4"
84"	3/16"	3/4"
96"	5/16"	3/4"
108"	5/16"	3/4"
120"	3/8"	3/4"

ALTERNATE SEALANTS AT JAMB GAPS CAN BE DESIGNED BY ENGINEER OF RECORD BASED ON MANUFACTURER GUIDE LINES.

Engr: JAVAD AHMAD
CIVIL
FLA. PE # 70592
C.A.N. 3538

Javad Ahmad
Feb 13 2013

PRODUCT REVISED
as complying with the Florida
Building Code
Acceptance No. 19-0331-02
Expiration Date 12/31/2019

By *Manuel Perez*
Miami/Dade Product Control

af c
AL-FAROOQ CORPORATION
ENGINEERS & PRODUCT DEVELOPMENT
1235 S.W. 87 AVE
MIAMI, FLORIDA 33174
TEL. (305) 264-8100 FAX. (305) 262-6978

US Aluminum Series 'DHS-500' Storefront Sys. (L.M.I.)
US Aluminum Inc.
Division Of C.R. Laurence Co., Inc.
7500 N.W. 69TH AVE.
MIAMI, FL 33166
TEL. (305) 888-0077 FAX. (305) 884-3111

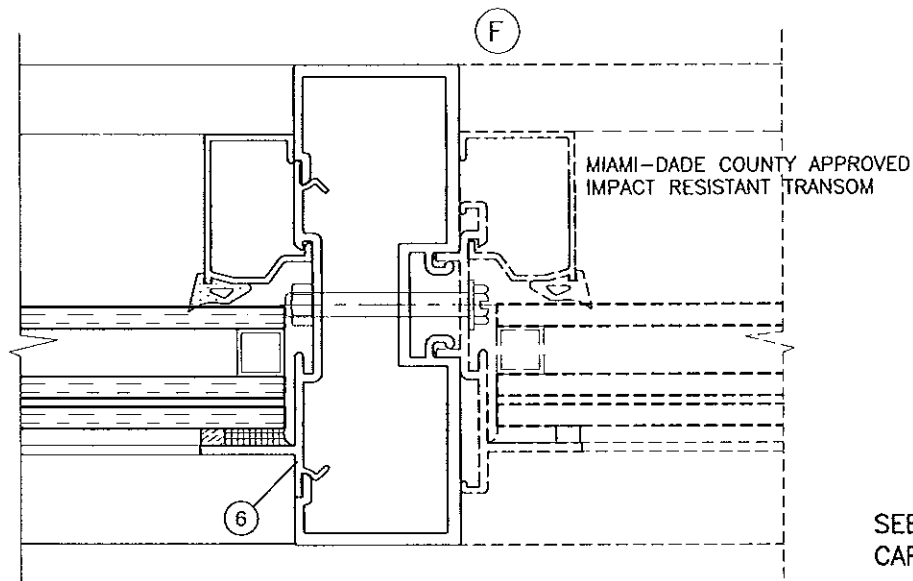
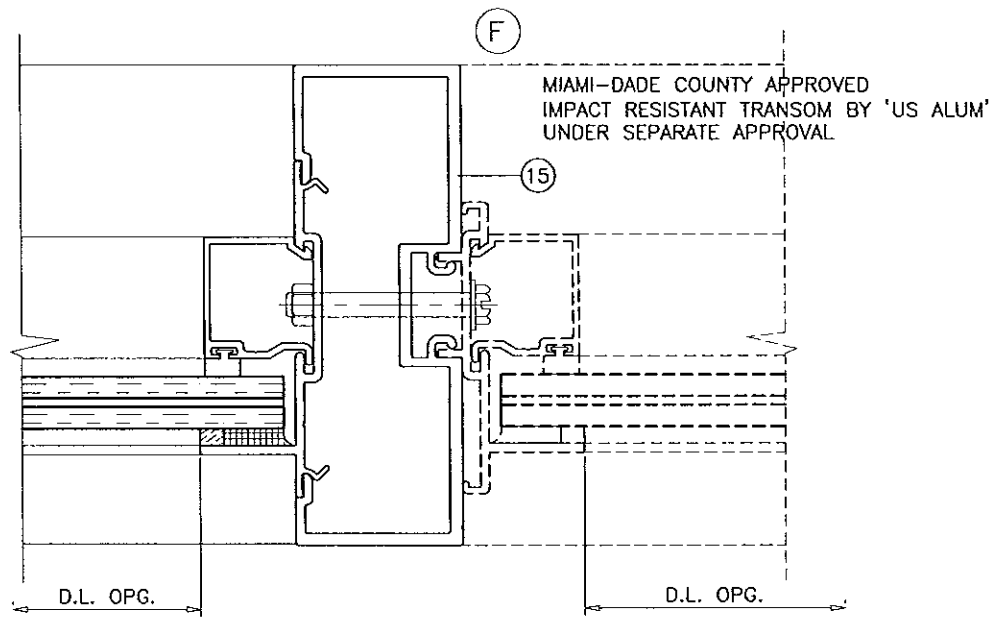
revisions:

no	date	by	description
C	08.06.08		NO CHANGE THIS SHEET
D	11.16.09		LAM. INSUL. GLASS ADDED
E	06.15.10		REV. PER BCCO COMMENTS
F	09.19.11		ANCHOR & GLASS OPTIONS ADD.
G	02.11.14		NAME UPDATED

date: 03-29-02
scale: 1/2" = 1"
dr. by: HAMID
chk. by:

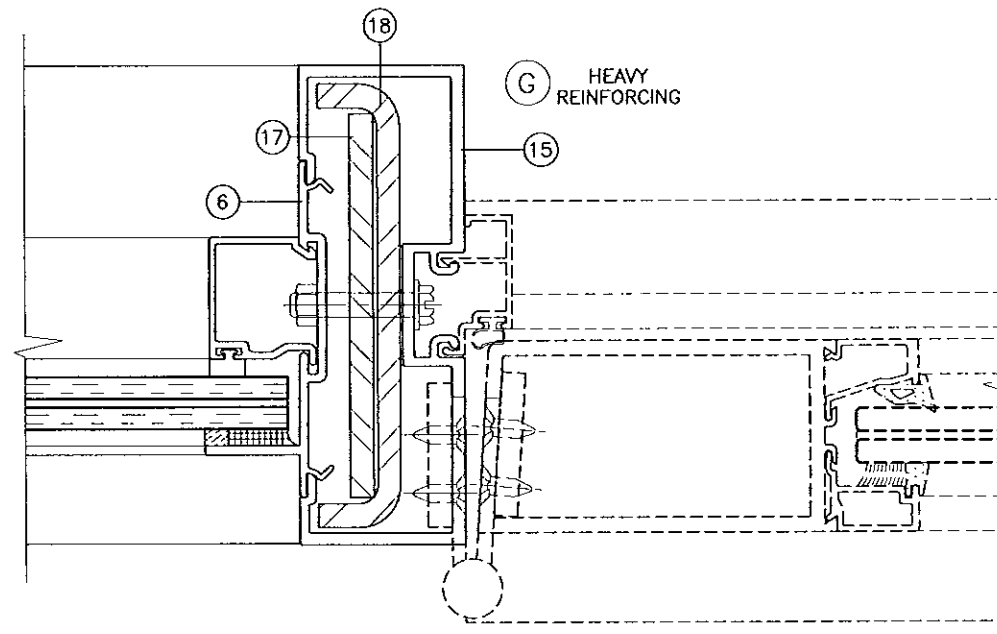
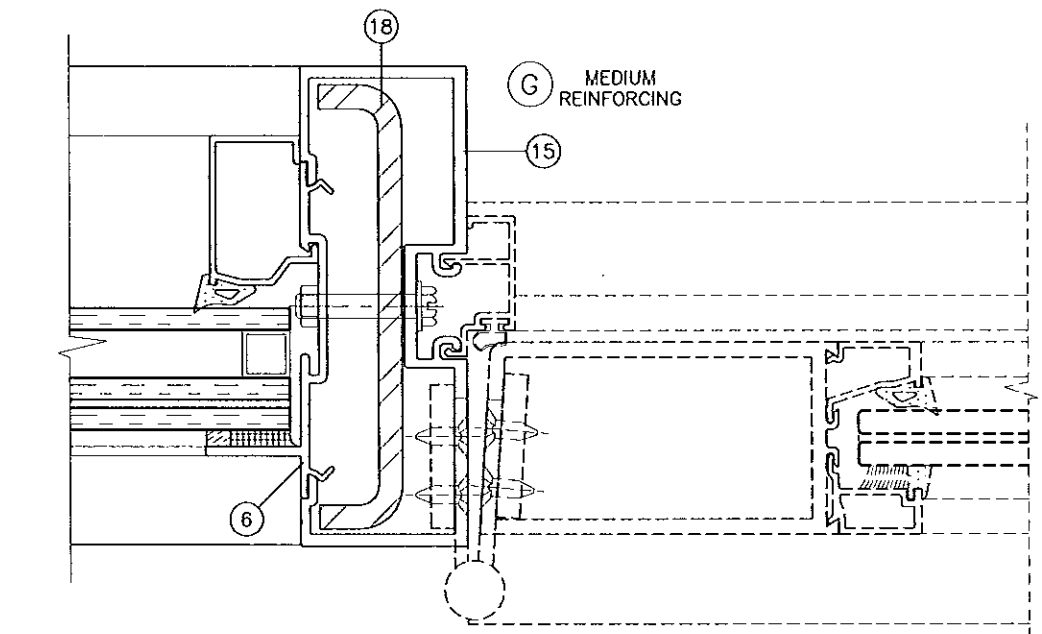
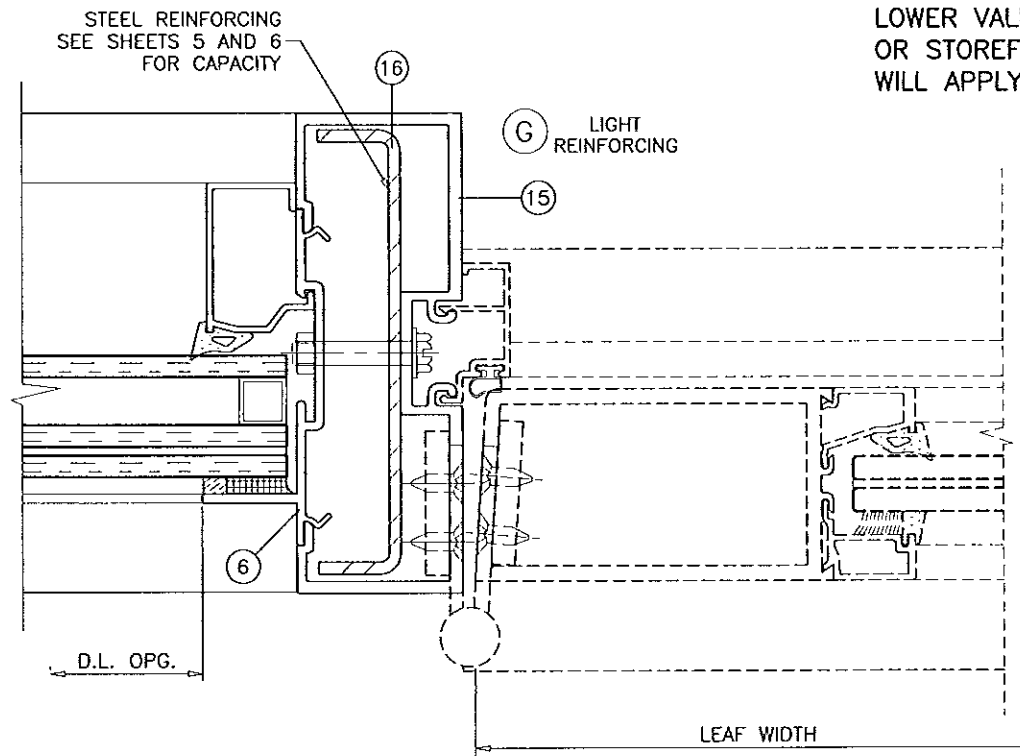
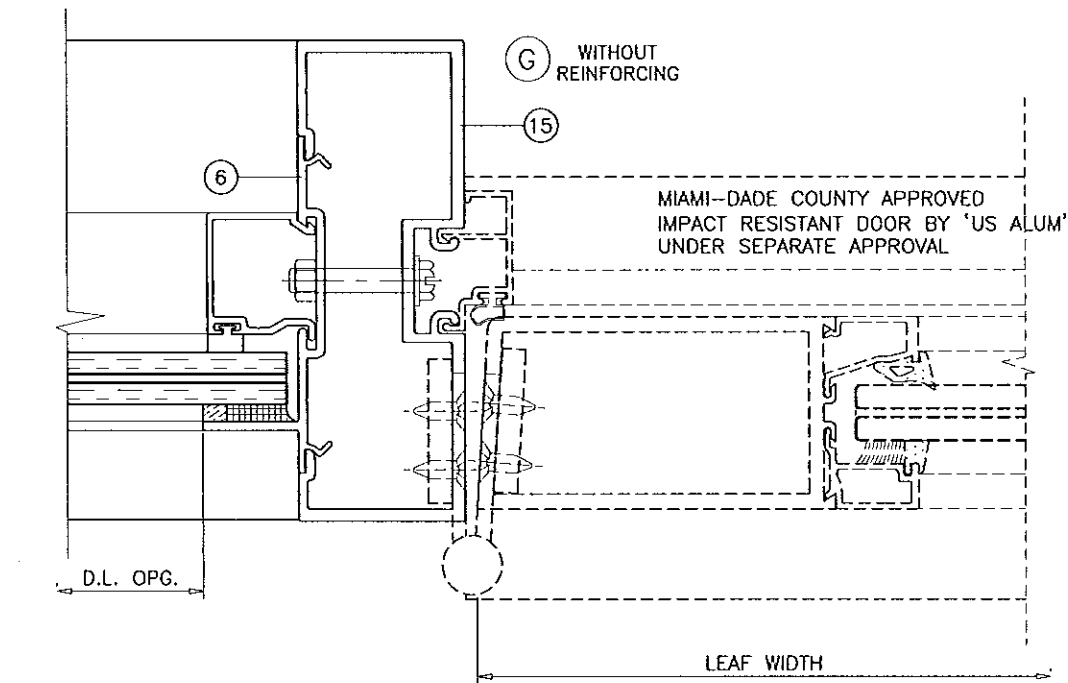
drawing no.
W02-27
sheet 8 of 11

STORE\02-27DD



SEE SEPARATE 'US ALUMINUM' NOA FOR DESIGN LOAD CAPACITY OF DOORS AND DOOR ANCHORS.

LOWER VALUES FROM DOORS NOA OR STOREFRONT SYSTEM CAPACITY CHARTS WILL APPLY TO ENTIRE SYSTEM.



PRODUCT REVISED
 as complying with the Florida Building Code
 Acceptance No. 14-0331-02
 Expiration Date 10/15/2019
 By *Manuel P...*
 Miami Dade Product Control

Engr: JAVAD AHMAD
 CIVIL
 FLA. PE # 70592
 C.A.N. 3538

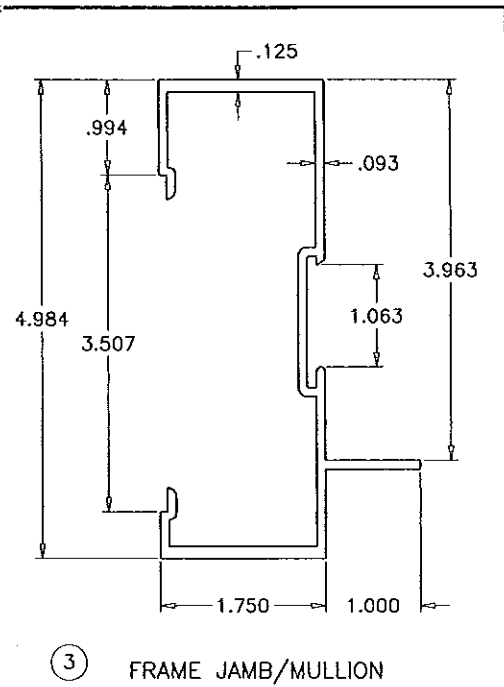
af c
AL-FAROOQ CORPORATION
 ENGINEERS & PRODUCT DEVELOPMENT
 1235 S.W. 87 AVE
 MIAMI, FLORIDA 33174
 TEL (305) 264-8100 FAX (305) 262-6978
 STORE \02-27DD

US Aluminum Series 'DHS-500' Storefront Sys. (L.M.I.)
 US Aluminum Inc.
 Division Of C.R. Laurence Co., Inc.
 7500 N.W. 69TH AVE.
 MIAMI, FL 33166
 TEL (305) 888-0077 FAX (305) 884-3111

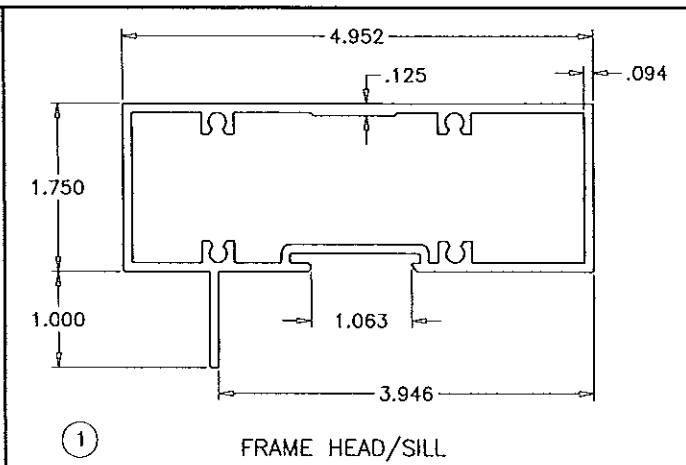
NO	DATE	DESCRIPTION
C	08.06.08	NO CHANGE THIS SHEET
D	11.16.09	LAM. INSUL. GLASS ADDED
E	06.15.10	REV. PER BCCO COMMENTS
F	09.19.11	NO CHANGE THIS SHEET
G	02.11.14	NAME UPDATED

date: 03-29-02
 scale: 1/2" = 1"
 dr. by: HAMID
 chk. by:

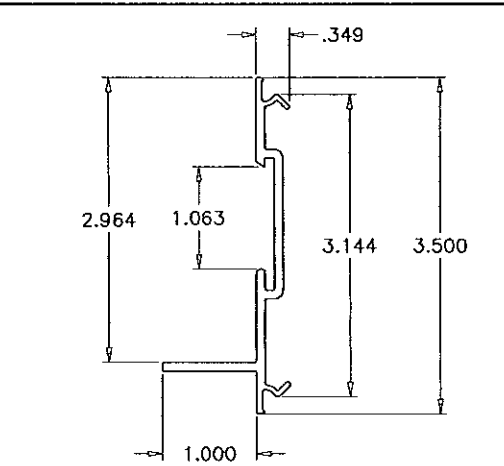
drawing no.
W02-27
 sheet 9 of 11



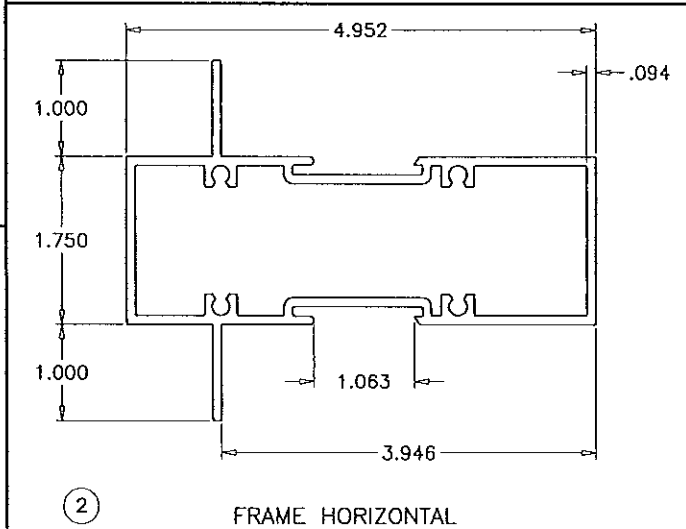
③ FRAME JAMB/MULLION



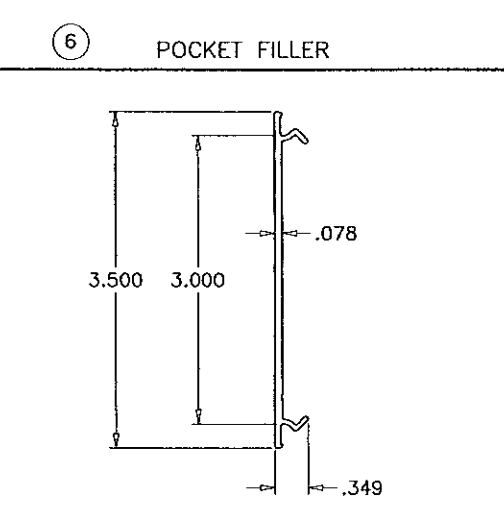
① FRAME HEAD/SILL



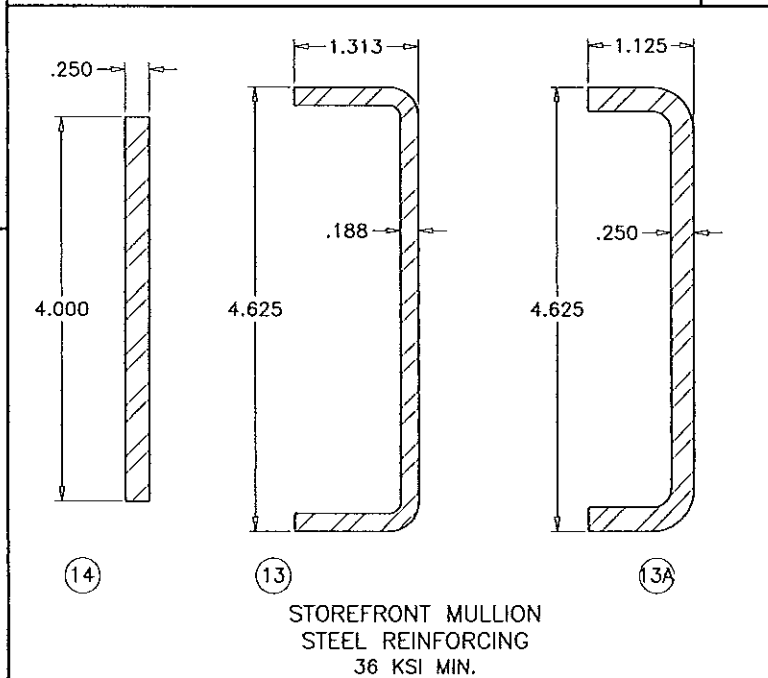
⑥ POCKET FILLER



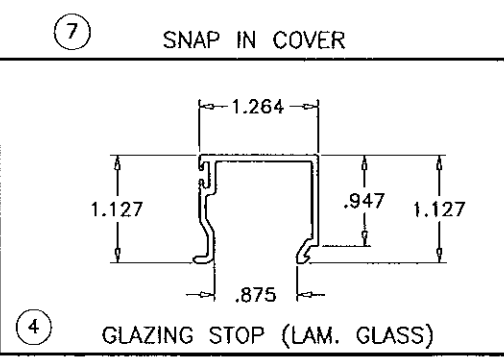
② FRAME HORIZONTAL



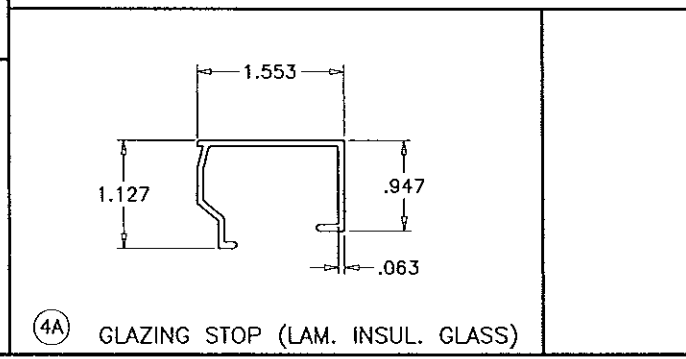
⑦ SNAP IN COVER



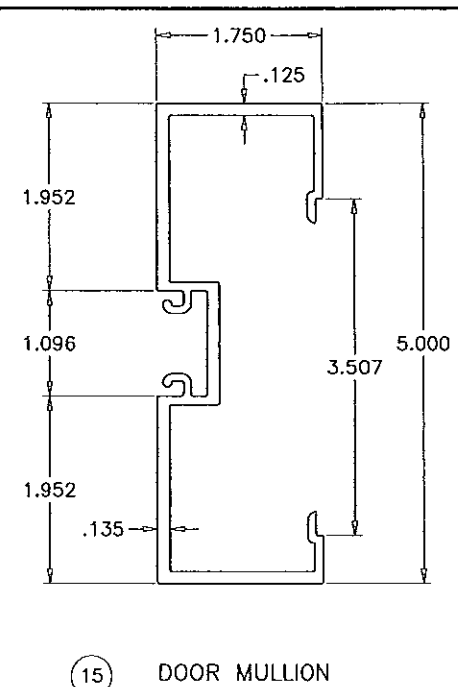
⑬ STOREFRONT MULLION
STEEL REINFORCING
36 KSI MIN.



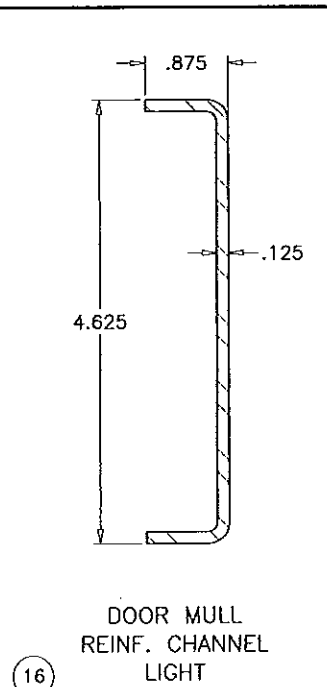
④ GLAZING STOP (LAM. GLASS)



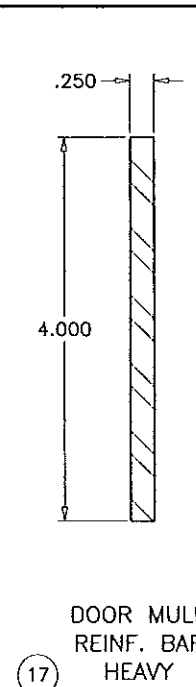
④A GLAZING STOP (LAM. INSUL. GLASS)



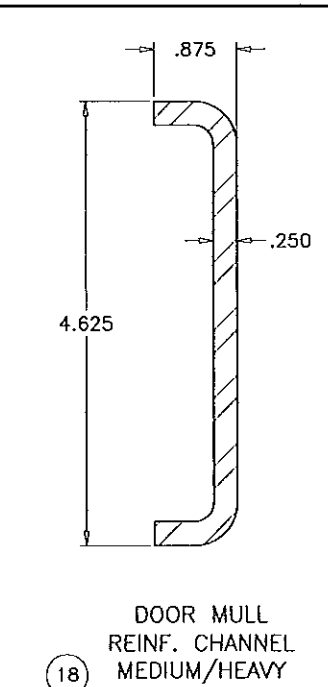
⑮ DOOR MULLION



⑯ DOOR MULL REINF. CHANNEL LIGHT



⑰ DOOR MULL REINF. BAR HEAVY



⑱ DOOR MULL REINF. CHANNEL MEDIUM/HEAVY

Engr: JAVAD AHMAD
CML
FLA. PE. # 70592
C.A.N. 3538
DATE: 12/13/2013

PRODUCT REVISED
as complying with the Florida
Building Code
Acceptance No. 14-0331.02
Expiration Date May 20, 2019
By: *Manuel Perez*
Miami Dade Product Control

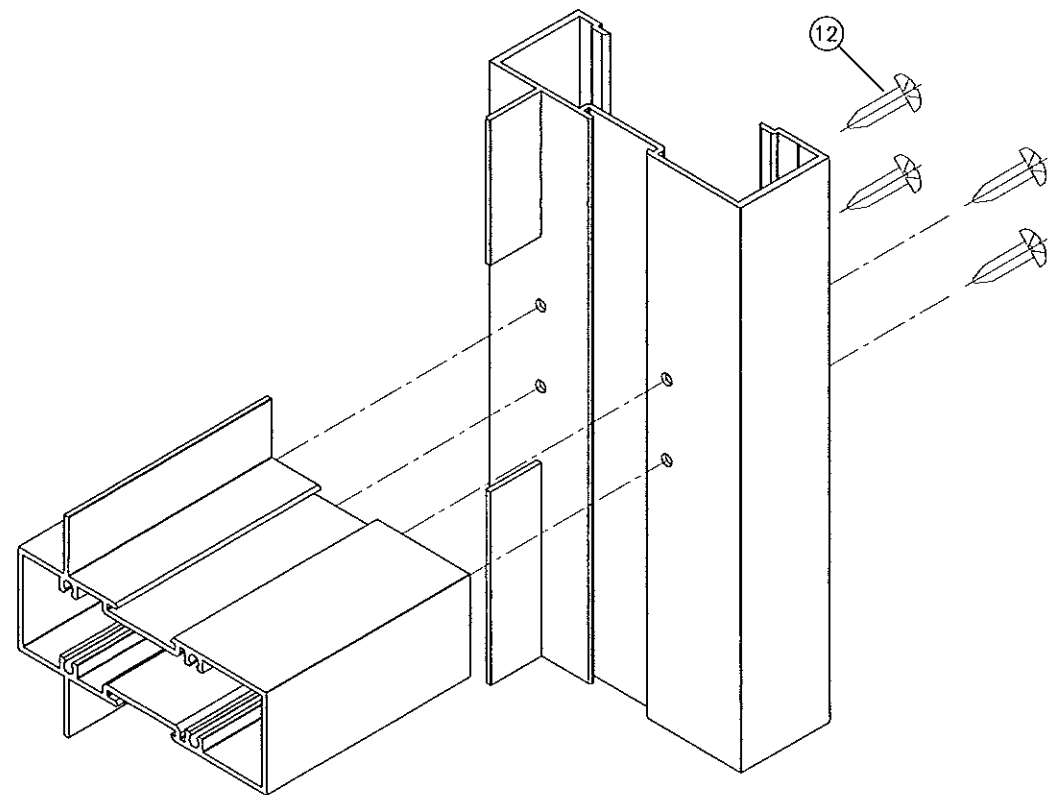
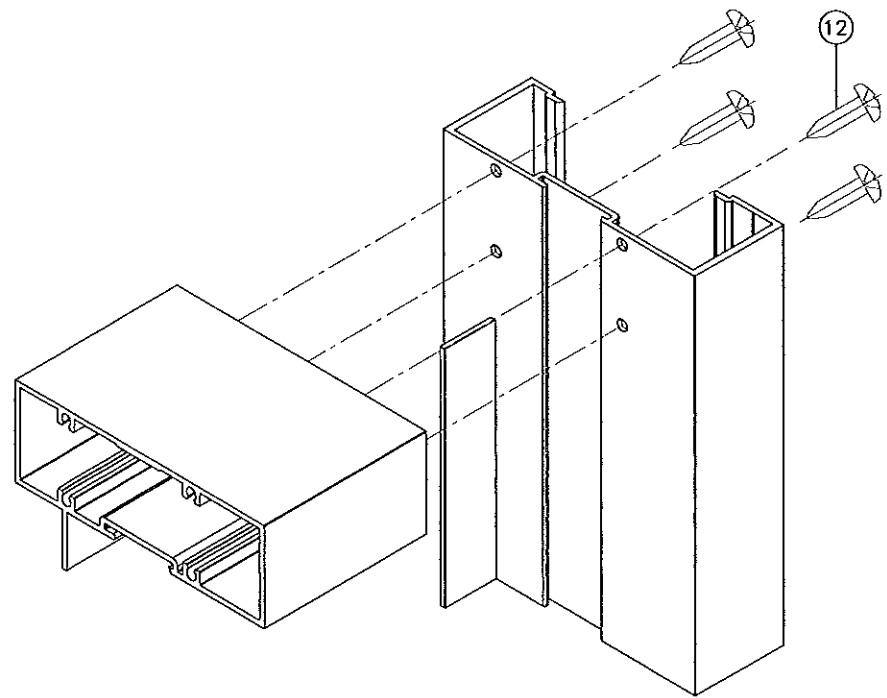
afC
AL-FAROOQ CORPORATION
ENGINEERS & PRODUCT DEVELOPMENT
1235 S.W. 87 AVE
MIAMI, FLORIDA 33174
TEL. (305) 264-8100 FAX. (305) 262-6978

US Aluminum Series 'DHS-500' Storefront Sys. (L.M.I.)
US Aluminum Inc.
Division Of C.R. Laurence Co., Inc.
7500 N.W. 69TH AVE.
MIAMI, FL 33166
TEL. (305) 888-0077 FAX. (305) 884-3111

no	date	by	description
C	08.06.08		NO CHANGE THIS SHEET
D	11.16.09		LAM. INSUL. GLASS ADDED
E	06.15.10		NO CHANGE THIS SHEET
F	09.19.11		NO CHANGE THIS SHEET
G	02.11.14		NAME UPDATED

date: 03-29-02
scale: 1/2" = 1"
dr. by: HAMID
chk. by:
drawing no. W02-27
sheet 10 of 11

STORE\02-27DD



ITEM NO.	PART NUMBER	QUANTITY	DESCRIPTION	MATERIAL	MANF./SUPPLIER/REMARKS
1	DLD-103	AS REQD.	FRAME HEAD/SILL	6063-T5	-
2	DLD-104	AS REQD.	FRAME HORIZONTAL	6063-T6	-
3	DLD-100	AS REQD.	FRAME JAMB/MULLION	6063-T6	-
4	DLD-102	AS REQD.	GLAZING STOP (LAM. GLASS)	6063-T5	-
4A	DLS-132	AS REQD.	GLAZING STOP (LAM. INSUL. GLASS)	6063-T5	-
6	DLD-101	AS REQD.	POCKET FILLER	6063-T6	-
7	BCE-475	AS REQD.	SNAP IN COVER, 2-1/2" LONG	6063-T6	-
8	-	AS REQD.	GLAZING GASKET (LAM. GLASS)	NEOPRENE	-
8A	TR-3235E	AS REQD.	GLAZING GASKET (LAM. INSUL. GLASS)	EPDM	-
9	-	AS REQD.	GLAZING COMPOUND	SILICONE	DOW 995
10	V-2206	AS REQD.	GLAZING TAPE	-	NORTON
11	-	AS REQD.	SETTING BLOCK AT 1/4" POINTS	NEOPRENE	1/8" X 3/4" X 2" LONG
11A	TX17005E	AS REQD.	SETTING BLOCK AT 1/4" POINTS	NEOPRENE	-
12	#12 X 1-1/4"	4/ CORNER	ASSEMBLY SCREWS PHSMS	STEEL	-
13	-	AS REQD.	MULLION REINFORCING CHANNEL, FULL LENGTH	STEEL	1-5/16 X 4-5/8 X 3/16"
13A	-	AS REQD.	MULLION REINFORCING CHANNEL, FULL LENGTH	STEEL	1-1/8 X 4-5/8 X 1/4"
14	-	AS REQD.	MULLION REINFORCING BAR, FULL LENGTH	STEEL	-
15	DLD-124	2/DOOR	DOOR MULLION	6063-T6	-
16	-	AS REQD.	DOOR MULLION REINF. CHANNEL, FULL LENGTH (LIGHT)	STEEL	-
17	-	AS REQD.	DOOR MULLION REINF. CHANNEL, FULL LENGTH (MEDIUM/HEAVY)	STEEL	-
18	-	AS REQD.	DOOR MULLION REINFORCING BAR, FULL LENGTH (HEAVY)	STEEL	-

Engr: JAVAD AHMAD
 CIVIL
 FLA. PE # 70592
 C.A.N. 3538

PRODUCT REVISED
 for complying with the Florida
 Building Code
 Acceptance No. A-033102
 Expiration Date May 20, 2019
 By Manuel Piza
 Miami Dade Product Control

afC
AL-FAROQ CORPORATION
 ENGINEERS & PRODUCT DEVELOPMENT
 1235 S.W. 87 AVE
 MIAMI, FLORIDA 33174
 TEL. (305) 264-8100 FAX. (305) 262-6978
 STORE \02-27DD

US Aluminum Series 'DHS-500' Storefront Sys. (L.M.I.)
 US Aluminum Inc.
 Division Of C.R. Laurence Co., Inc.
 7500 N.W. 69TH AVE.
 MIAMI, FL 33166
 TEL. (305) 888-0077 FAX. (305) 884-3111

revisions:	no	date	by	description
	C	08.06.08		NO CHANGE THIS SHEET
	D	11.16.09		LAM. INSUL. GLASS ADDED
	E	06.15.10		NO CHANGE THIS SHEET
	F	09.19.11		NO CHANGE THIS SHEET
	G	02.11.14		NAME UPDATED

date: 03-29-02
 scale: 1/2" = 1"
 dr. by: HAMID
 chk. by:

drawing no.
W02-27
 sheet 11 of 11